

MR350FMS

PERFORMANCE FEATURES

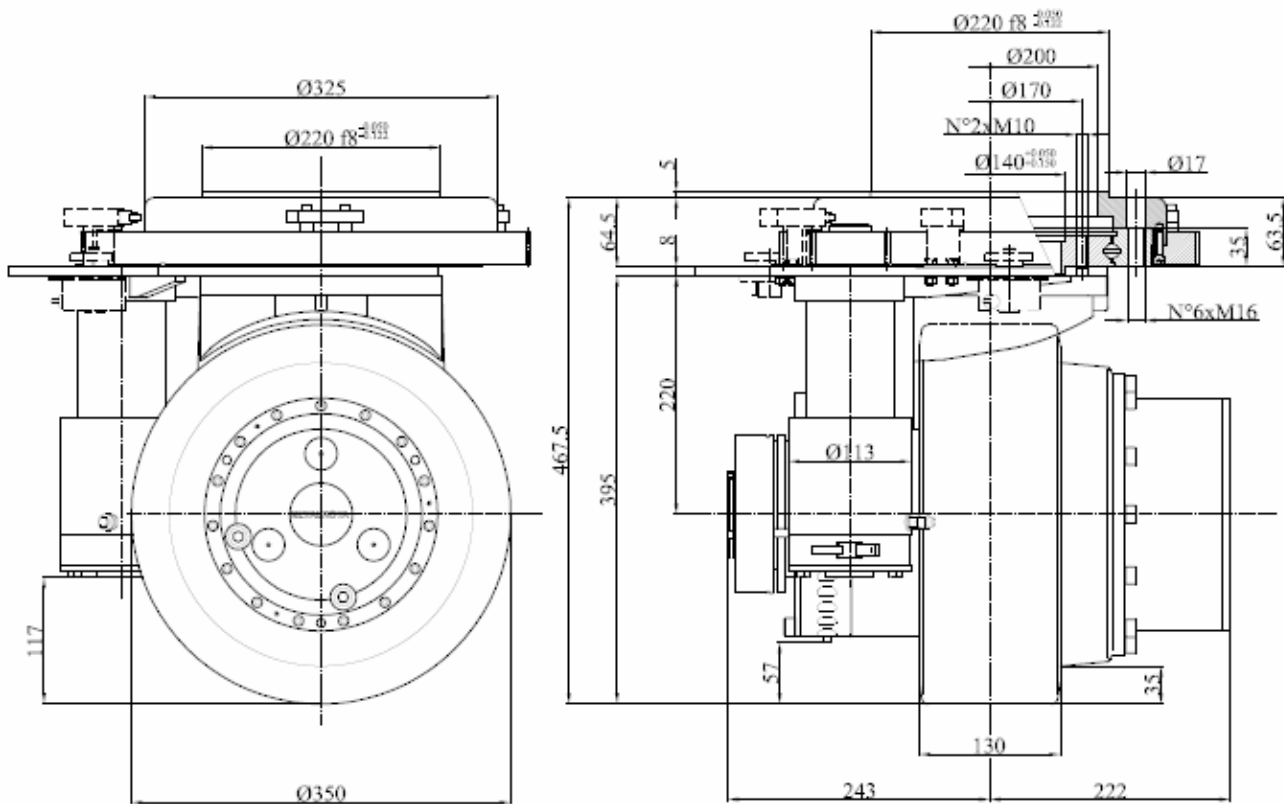
		3500W, 48V, 2000rpm, shunt	3000W, 48V, 4000rpm, shunt	3500W, 80V, 2200rpm, sep-ex
Drive wheel gear ratio	i	30	30	22
Max vehicle weight	kg	8177	3504	5451
Max wheel load	kg	2600	2600	2600
Wheel torque	Nm	501	215	334
Current adsorbed	A	90	80	54
Vehicle speed on flat	m/ min	73	146	109.5
e/m brake torque	Nm	40	40	40
Polyurethan tyre diameter	mm	350	350	350
Steering motor power	W	500	500	500
Steering motor speed	rpm	2800	2800	1600
Steering system ratio	i	282	282	282
Steering speed	°/sec	60	60	60
Weight	kg	169	169	169

AVAILABLE ON REQUEST

- Other motor windings

NOTE: “Max vehicle weight”, “Wheel torque”, “Current adsorbed” and “Vehicle speed on flat” always refer to the labelled power of the motor.

To have detailed information please contact our technical department.



MR350FMS

