

**MR415FMS**

## PERFORMANCE FEATURES

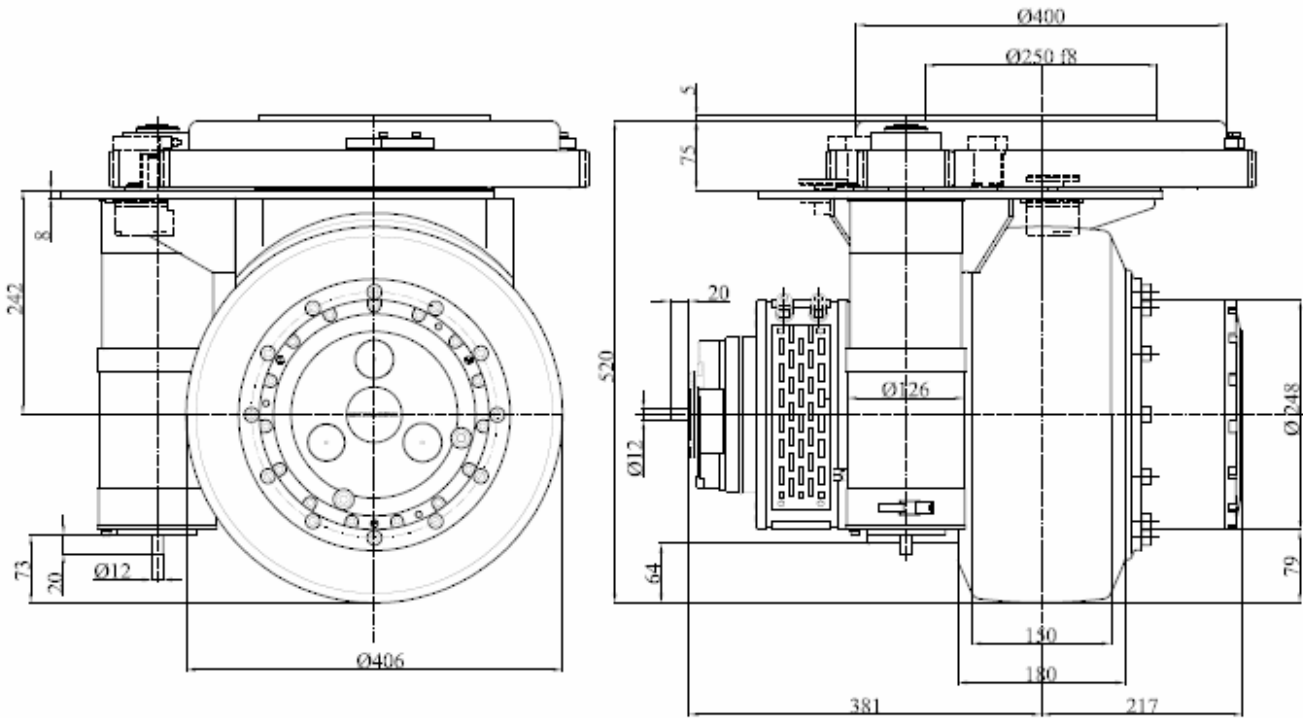
		<b>5000W, 48V, 1400rpm, shunt</b>	<b>7000W, 48V, 2950rpm, sep-ex</b>	<b>5000W, 48V, 2000rpm, sep-ex</b>
Drive wheel gear ratio	i	25.6	25.6	25.6
Max vehicle weight	kg	12276	8156	8593
Max wheel load	kg	4000	4000	4000
Wheel torque	Nm	873	580	611
Current adsorbed	A	129	170	122
Vehicle speed on flat	m/ min	69.5	147	99.5
e/m brake torque	Nm	75	75	75
Polyurethan tyre diameter	mm	406	406	406
Steering motor power	W	800	800	800
Steering motor speed	rpm	2800	1300	1300
Steering system ratio	i	243	243	243
Steering speed	°/sec	69	32	32
Weight	kg	258	258	258

**AVAILABLE ON REQUEST**

- Other motor windings

**NOTE:** “Max vehicle weight”, “Wheel torque”, “Current adsorbed” and “Vehicle speed on flat” always refer to the labelled power of the motor.

To have detailed information please contact our technical department.



## MR415FMS

