

D25 – D10 – M70 PERFORMANCE FEATURES

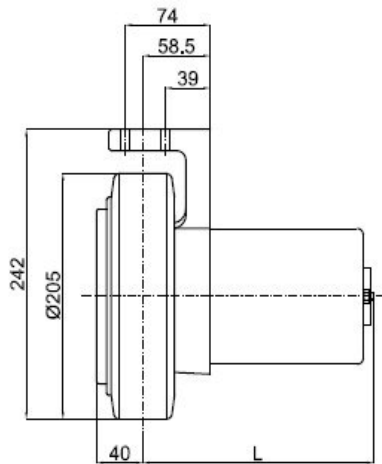
Motor examples (12-48V available)		D25 250W, 12V, 2800rpm, permanent magnets	D10 400W, 24V, 1600rpm, permanent magnets	M70 500W, 24V, 2850rpm, series wound 4 terminals
Drive wheel gear ratio	i	23	23	23
Max vehicle weight	kg	400	550	800
Max wheel load	kg	400	500	600
Wheel torque	Nm	19,6	55	39
Current adsorbed (S2)	A	25 (60 min)	20 (60 min)	30 (60 min)
Vehicle speed on flat	km/ h	4 - 4,5	2 - 3	4,8
e/m brake torque	Nm	5	75	75
Polyurethan tyre diameter	mm	205	205	205
Weight	kg	15	15	20

AVAILABLE ON REQUEST

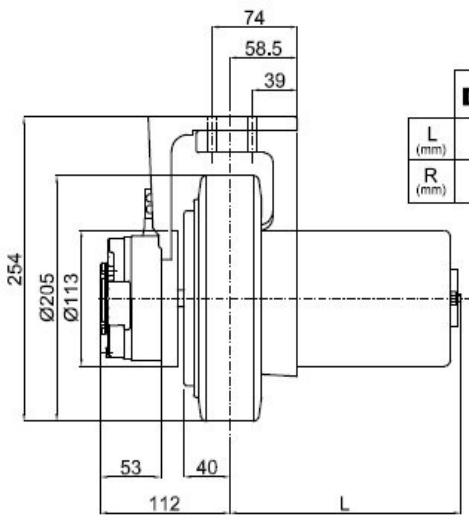
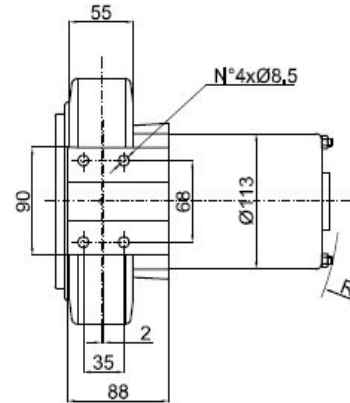
- Gear Rato 29: 1
- Other motor windings

NOTE: “Max vehicle weight”, “Wheel torque”, “Current adsorbed” and “Vehicle speed on flat” always refer to the labelled power of the motor.

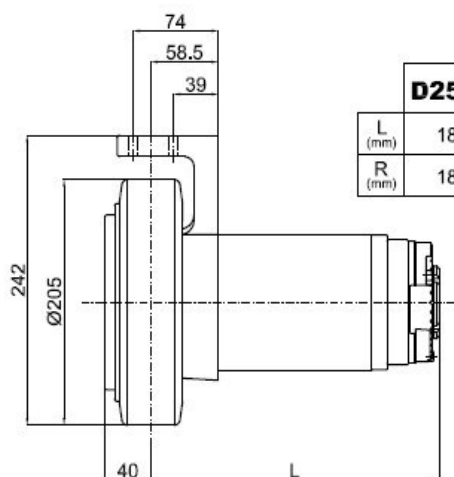
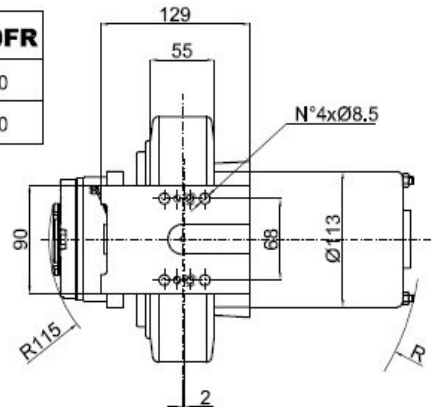
To have detailed information please contact our technical dpt.



	D25	D10	M70
L (mm)	146	169	200
R (mm)	147	170	210



	D25FR	D10FR	M70FR
L (mm)	146	169	200
R (mm)	147	170	210



	D25FM	D10FM	M70FM
L (mm)	187	215	250
R (mm)	188	217	251

