

MR260/320FMS

PERFORMANCE FEATURES

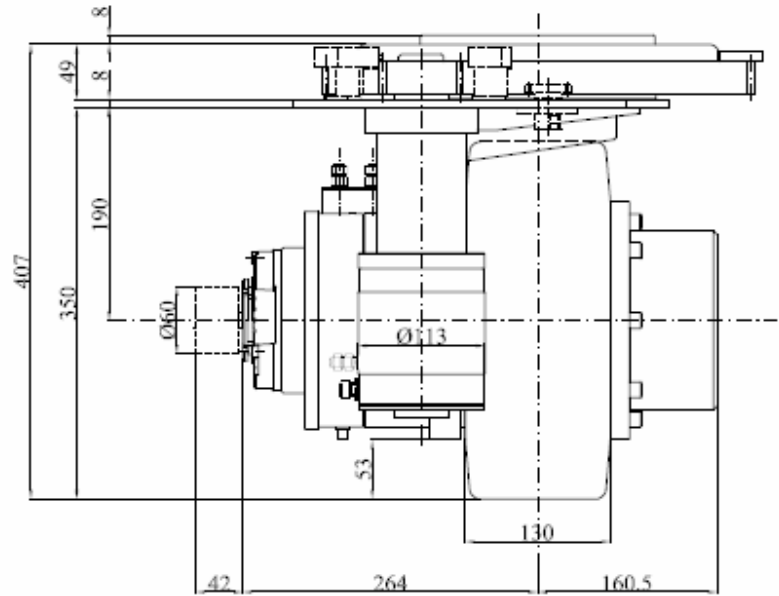
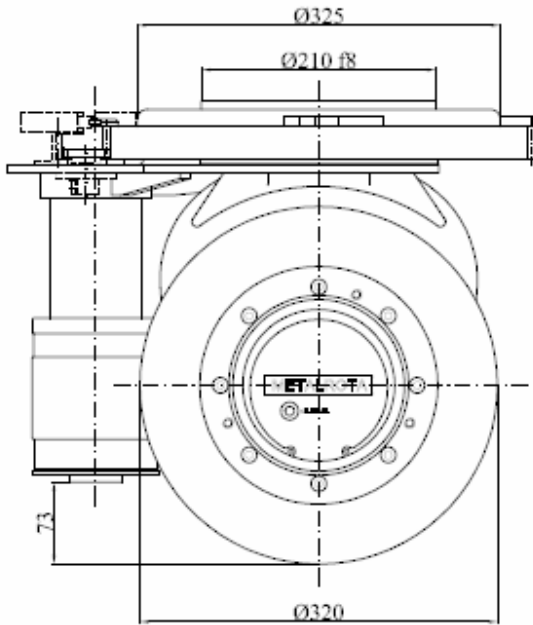
		3000W, 48V, 2000rpm, sep-ex	3500W, 48V, 2000rpm, shunt	3000W, 36V, 2350rpm, PM
Drive wheel gear ratio	i	30	30	30
Max vehicle weight	kg	7666	8943	6524
Max wheel load	kg	2000	2000	2000
Wheel torque	Nm	430	501	366
Current adsorbed	A	80	90	105
Vehicle speed on flat	m/ min	67	67	78.5
e/m brake torque	Nm	40	40	40
Polyurethan tyre diameter	mm	320	320	320
Steering motor power	W	500	500	500
Steering motor speed	rpm	2800	2800	2800
Steering system ratio	i	282	282	282
Steering speed	°/sec	60	60	60
Weight	kg	172	172	172

AVAILABLE ON REQUEST

- Wheel D.300, 350, 406mm with thickness from 100 to 140mm.
- Motors from 800W to 3500W.
- Other motor windings

NOTE: “Max vehicle weight”, “Wheel torque”, “Current adsorbed” and “Vehicle speed on flat” always refer to the labelled power of the motor.

To have detailed information please contact our technical department.



MR260/320FMS D.191mm

