

## MR260/406 - Motor D.191mm

### PERFORMANCE FEATURES

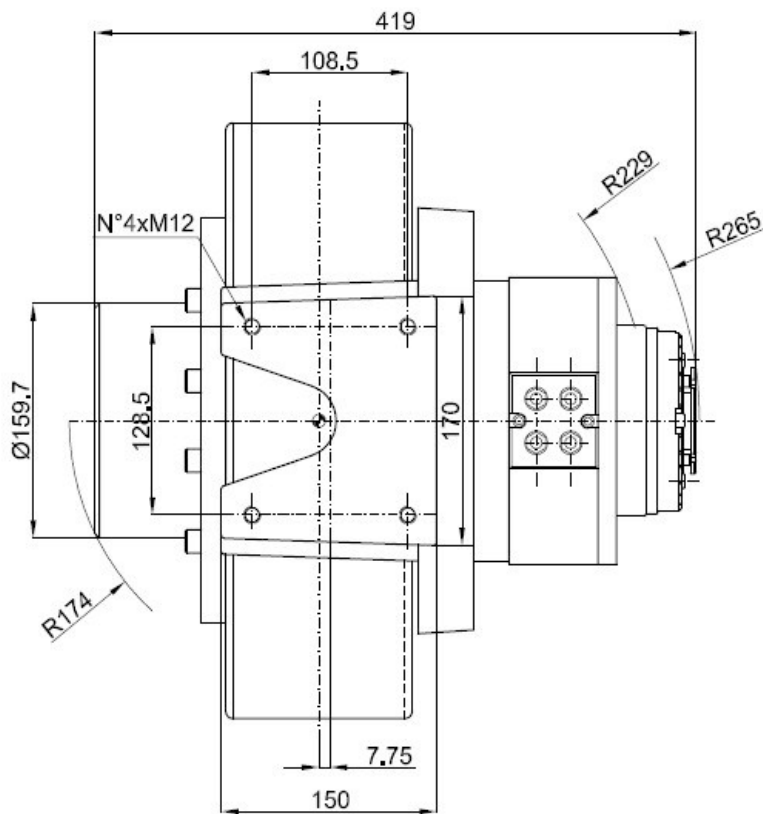
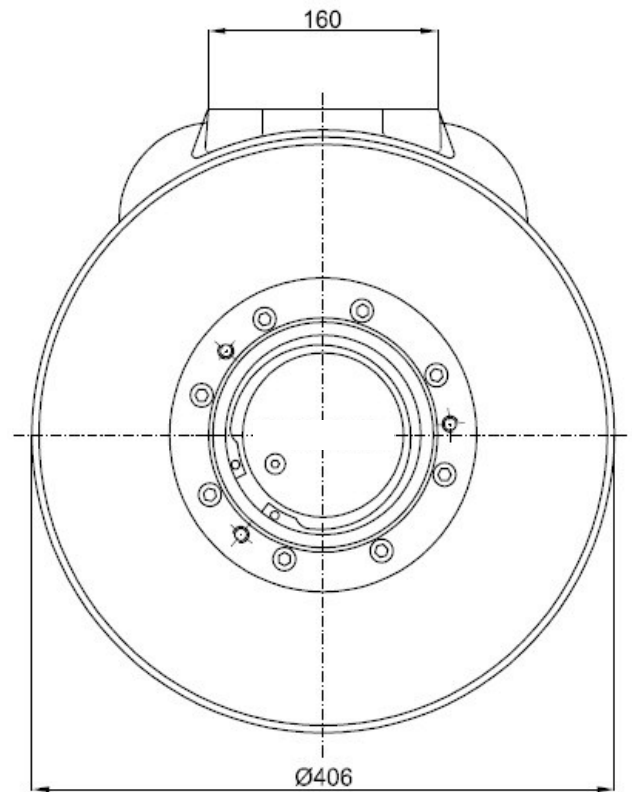
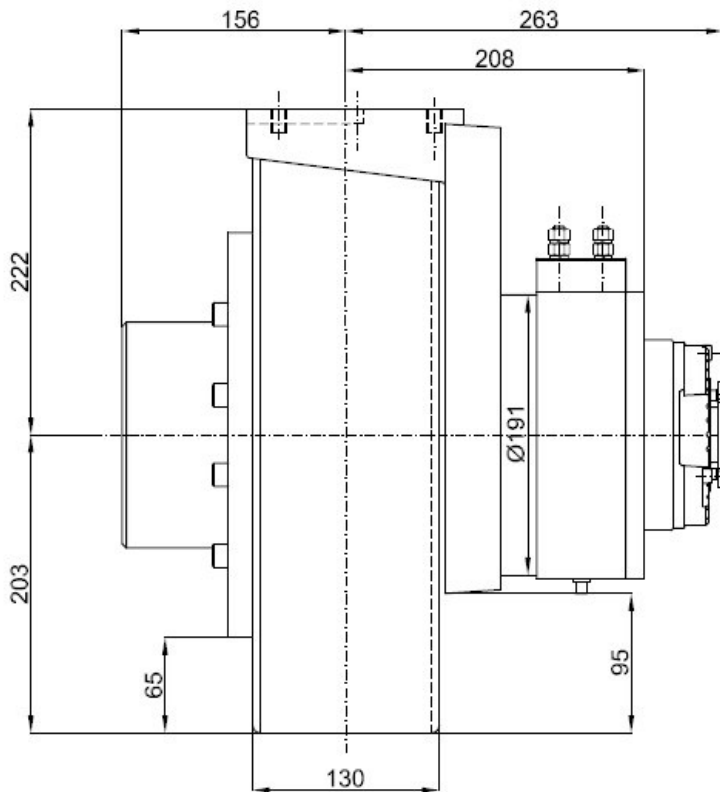
Motor examples (24-80V available)		3000W, 48V, 2000rpm,  separately excited	3500W, 48V, 3000rpm,  separately excited	3000W, 24V, 2000rpm,  series wound 4 terminals
Drive wheel gear ratio	i	30	30	30
Max vehicle weight	kg	5500	4699	5500
Max wheel load	kg	2300	2300	2300
Wheel torque	Nm	430	334	430
Current adsorbed (S2)	A	80 (60 min)	90 (50 min)	160 (60 min)
Vehicle speed on flat	km/ h	5,1	7,6	5,1
e/m brake torque	Nm	40	40	40
Polyurethan 90SH tyre diameter	mm	406	406	406
Weight	kg	135	135	135

#### AVAILABLE ON REQUEST

- Polyurethan wheel 70SH (Max wheel load 1800kg)
- Other motor windings

**NOTE:** “Max vehicle weight”, “Wheel torque”, “Current adsorbed” and “Vehicle speed on flat” always refer to the labelled power of the motor.

To have detailed information please contact our technical department.



## MR260/406FM D.191mm