

MR270

PERFORMANCE FEATURES

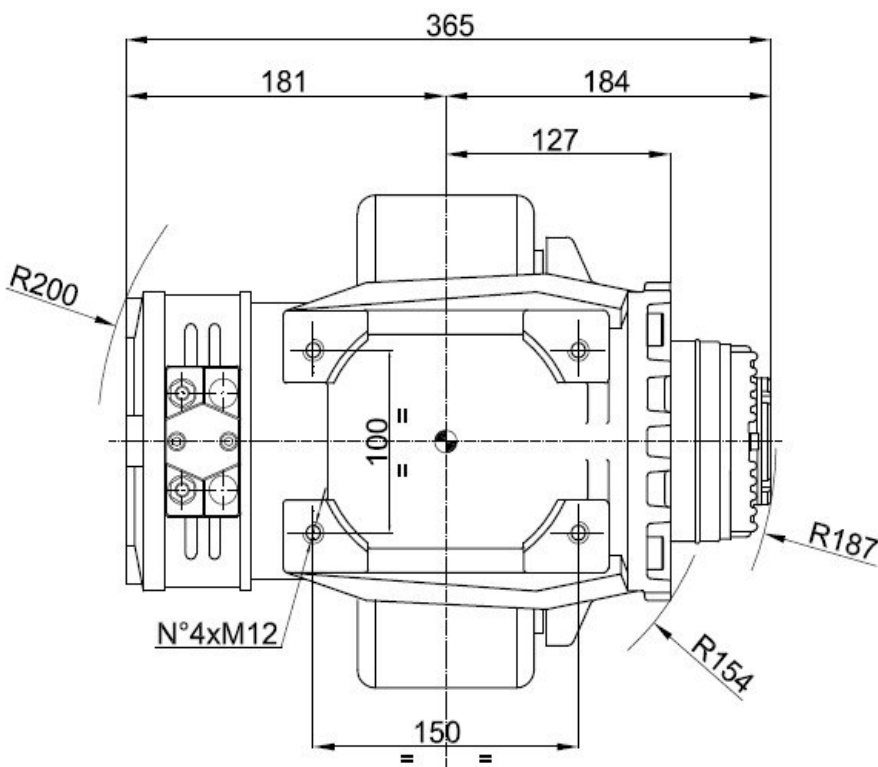
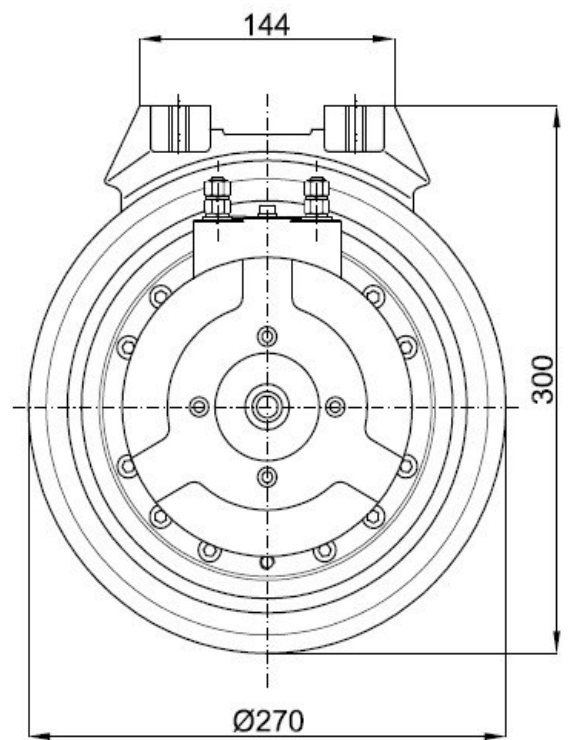
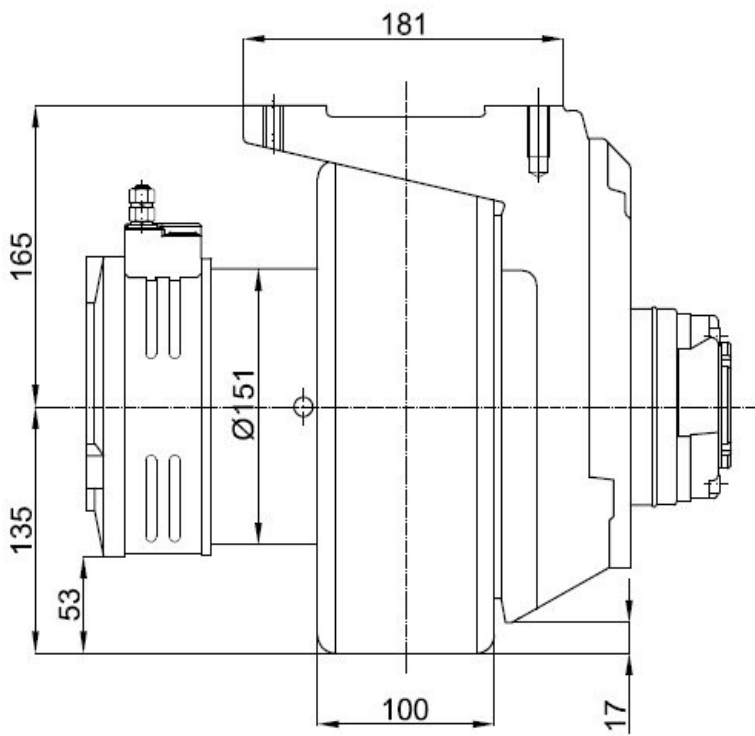
| Motor examples (12-48V available) | | 1000W, 48V, 1800rpm, | 1000W, 48V, 2500rpm, | 1500W, 24V, 2000rpm, |
|--------------------------------------|-------|-------------------------|-------------------------|-------------------------|
| | | permanent magnets | permanent magnets | separately excited |
| Drive wheel gear ratio | i | 34 | 34 | 34 |
| Max vehicle weight | kg | 3200 | 2746 | 3200 |
| Max wheel load | kg | 1300 | 1300 | 1300 |
| Wheel torque | Nm | 180 | 130 | 244 |
| Current adsorbed (S2) | A | 25 (60 min) | 24 (60 min) | 80 (45 min) |
| Vehicle speed on flat | km/ h | 2,7 | 3,7 | 3 |
| e/m brake torque | Nm | 20 | 20 | 20 |
| Polyurethan 90SH tyre diameter | mm | 270 | 270 | 270 |
| Weight | kg | 50 | 50 | 50 |

AVAILABLE ON REQUEST

- Gear Ratio 22,89:1
- Other motor windings

NOTE: “Max vehicle weight”, “Wheel torque”, “Current adsorbed” and “Vehicle speed on flat” always refer to the labelled power of the motor.

To have detailed information please contact our technical department.



MR270FR