

MR270FRS

PERFORMANCE FEATURES

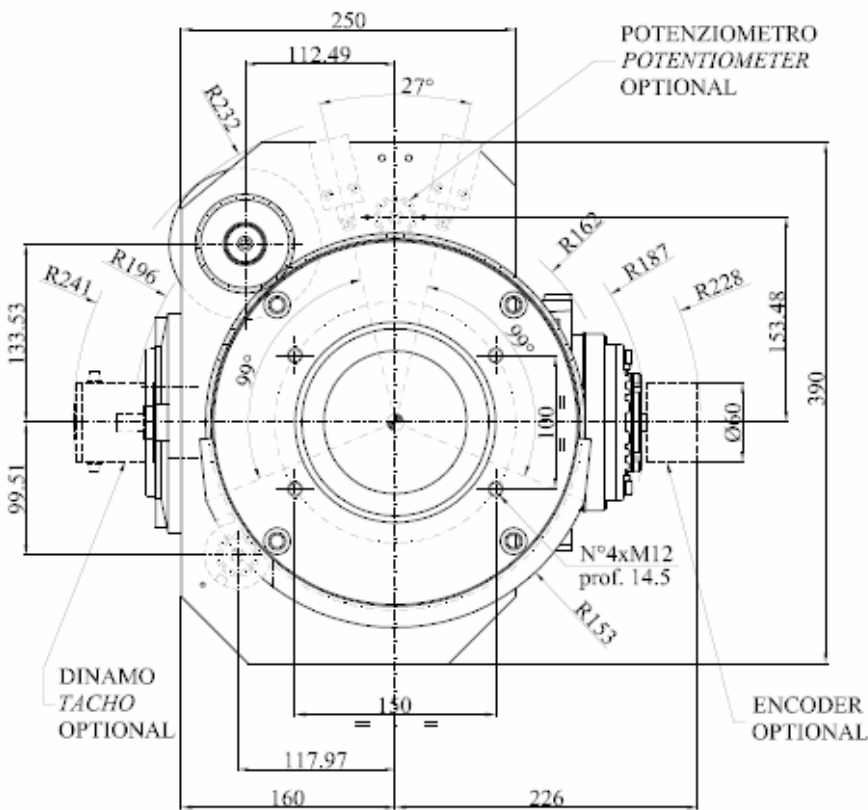
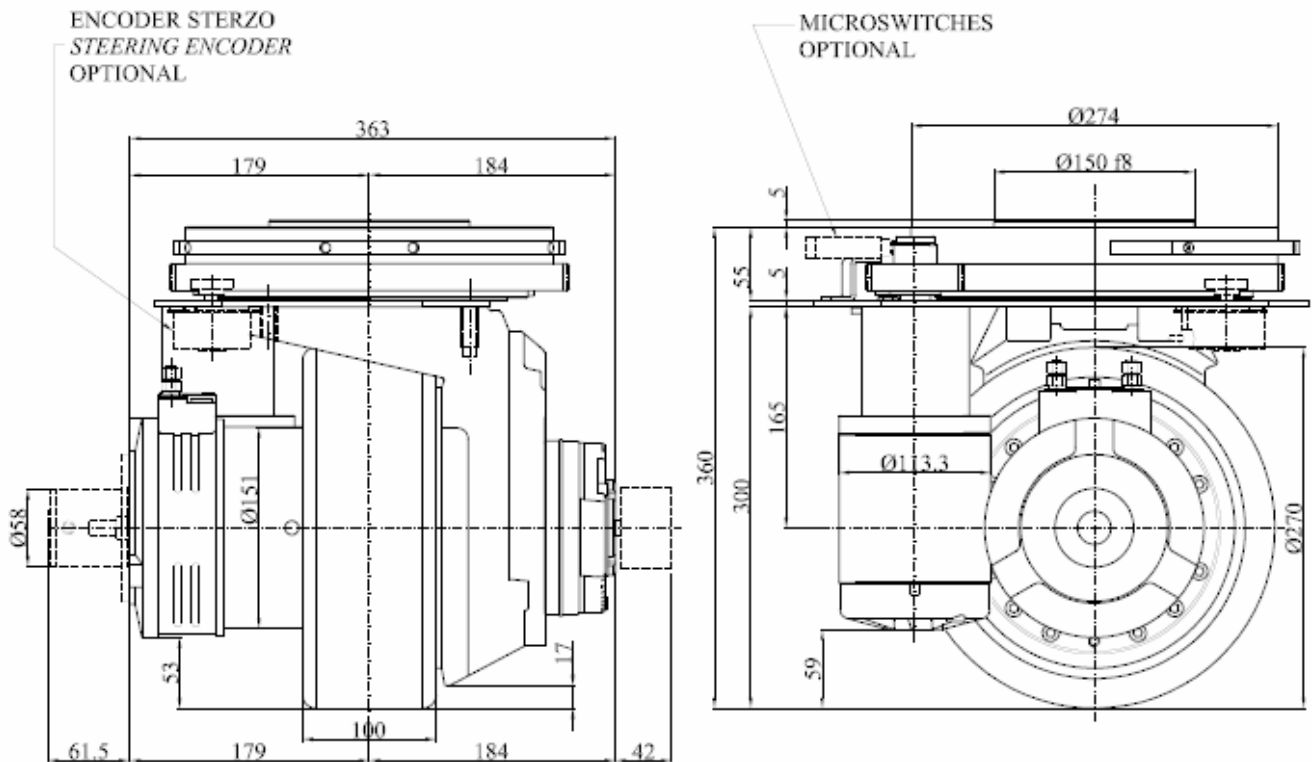
		1000W, 48V, 1800rpm, PM	1000W, 48V, 2500rpm, PM	1500W, 24V, 2000rpm, sep-ex
Drive wheel gear ratio	i	34	23	34
Max vehicle weight	kg	3200	1857	3200
Max wheel load	kg	1300	1300	1300
Wheel torque	Nm	180	88	244
Current adsorbed	A	25	24	80
Vehicle speed on flat	m/ min	45	92.4	50
e/m brake torque	Nm	20	20	20
Polyurethan tyre diameter	mm	270	270	270
Steering motor power	W	400	400	400
Steering motor speed	rpm	2800	2800	1600
Steering system ratio	i	184	184	184
Steering speed	°/sec	91	91	52
Weight	kg	85	85	85

AVAILABLE ON REQUEST

- Other motor windings

NOTE: “Max vehicle weight”, “Wheel torque”, “Current adsorbed” and “Vehicle speed on flat” always refer to the labelled power of the motor.

To have detailed information please contact our technical department.



MR270FRS

