

WR125ECO

PERFORMANCE FEATURES

Motor examples (12-48V available)		1200W, 24V, 2400rpm, series wound 4 terminals	1200W, 48V, 3200rpm, separately excited	800W, 24V, 3000rpm, permanent magnets
Drive wheel gear ratio	i	20	20	20
Max vehicle weight	kg	2370	1778	1264
Max wheel load	kg	1400	1400	1400
Wheel torque	Nm	95	72	51
Current adsorbed (S2)	A	62 (30 min)	34 (30 min)	42 (60 min)
Vehicle speed on flat	km/h	5,2	6,9	6,5
e/m brake torque	Nm	10	10	10
Polyurethan 90SH tyre diameter	mm	230	230	230
Weight	kg	49	49	49

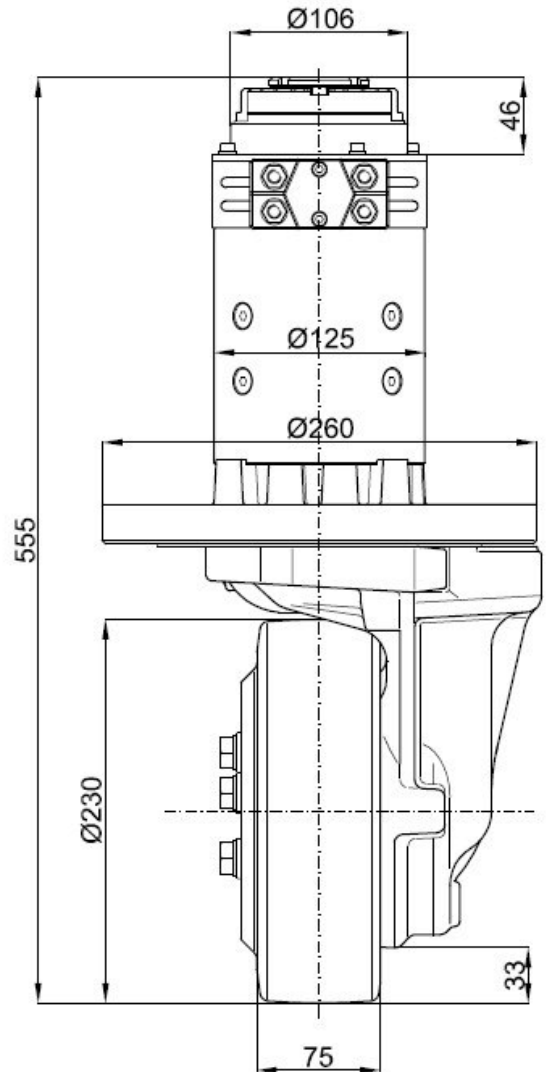
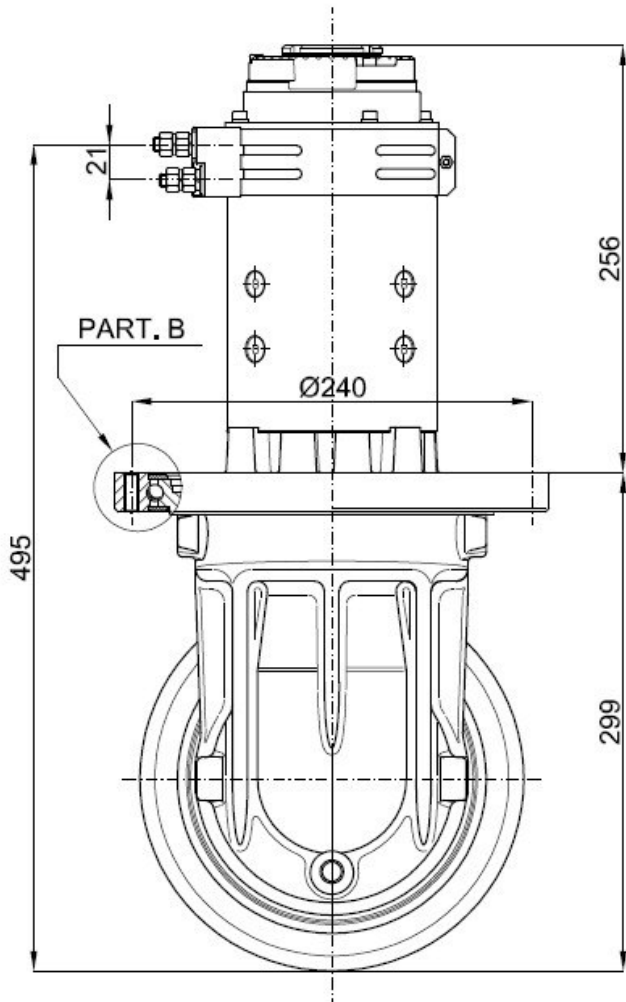
AVAILABLE ON REQUEST

- Rubber wheel (Max wheel load 430kg)
- Other motor windings

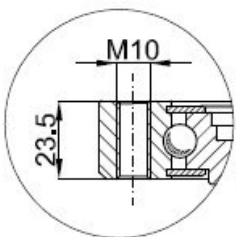
NOTE: "Max vehicle weight", "Wheel torque", "Current adsorbed" and "Vehicle speed on flat" always refer to the labelled power of the motor.

To have detailed information please contact our technical department.

WR125ECO FM



PART. B



- Motore solidale al riduttore

- D.C. motor integral with the gear box

