

## WR151ECO

### PERFORMANCE FEATURES

<b>Motor examples</b> (12-48V available)		<b>2000W, 24V, 2000rpm,</b>  series wound 4 terminals	<b>2500W, 24V, 3800rpm,</b>  separately excited	<b>2000W, 48V, 2000rpm,</b>  series wound 4 terminals
Drive wheel gear ratio	i	20	20	20
Max vehicle weight	kg	3500	3119	3500
Max wheel load	kg	1400	1400	1400
Wheel torque	Nm	191	126	191
Current adsorbed (S2)	A	105 (60 min)	135 (45 min)	55 (60 min)
Vehicle speed on flat	km/h	4,3	8,2	4,3
e/m brake torque	Nm	20	20	20
Polyurethan 90SH tyre diameter	mm	230	230	230
Weight	kg	61	61	61

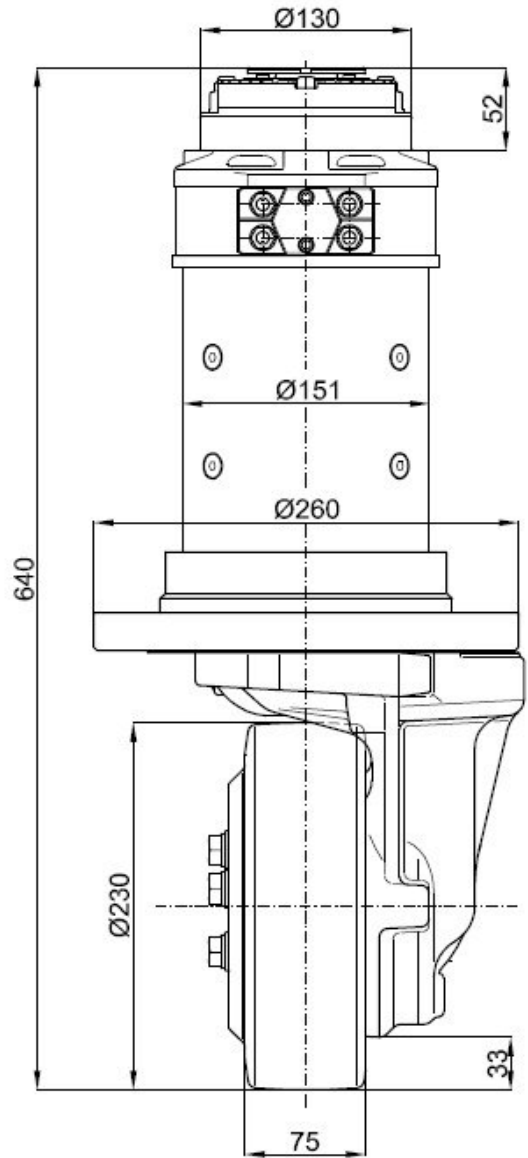
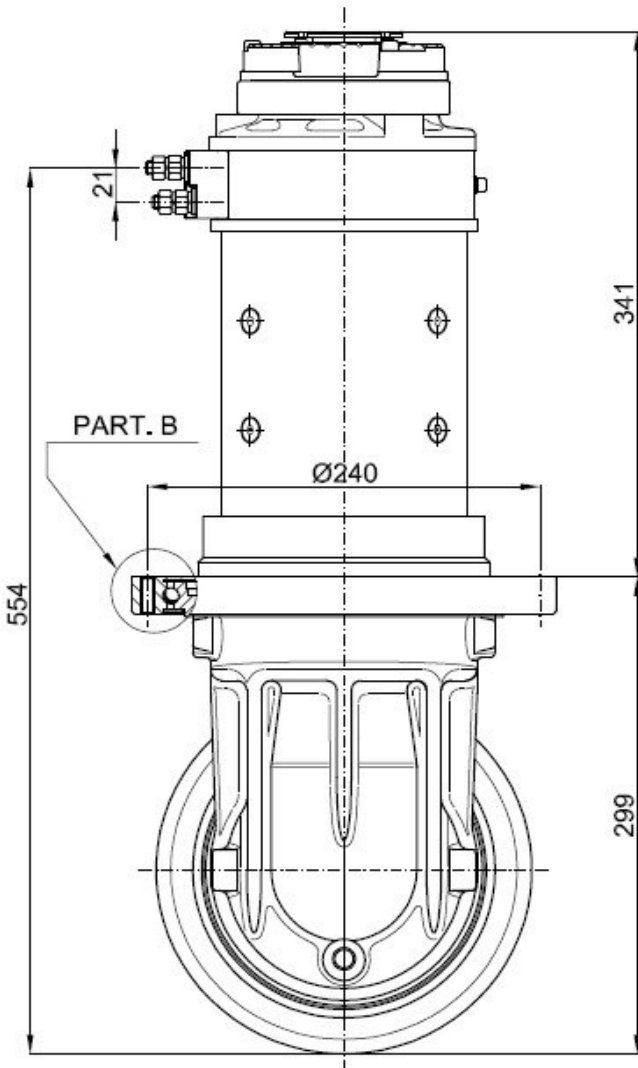
#### AVAILABLE ON REQUEST

- Rubber wheel (Max wheel load 430kg)
- Other motor windings

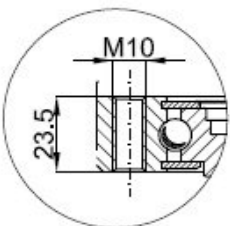
**NOTE:** “Max vehicle weight”, “Wheel torque”, “Current adsorbed” and “Vehicle speed on flat” always refer to the labelled power of the motor.

To have detailed information please contact our technical department.

## WR151ECO FM



PART. B



- Motore solldale al riduttore

- D.C. motor integral with the gear box

