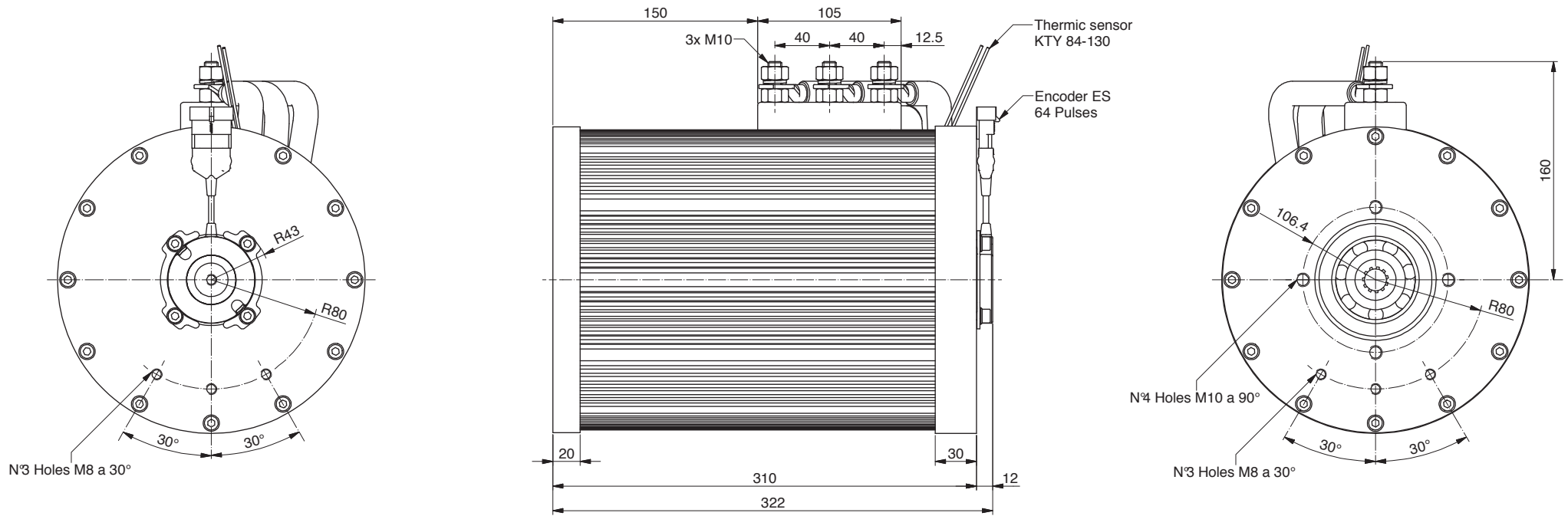
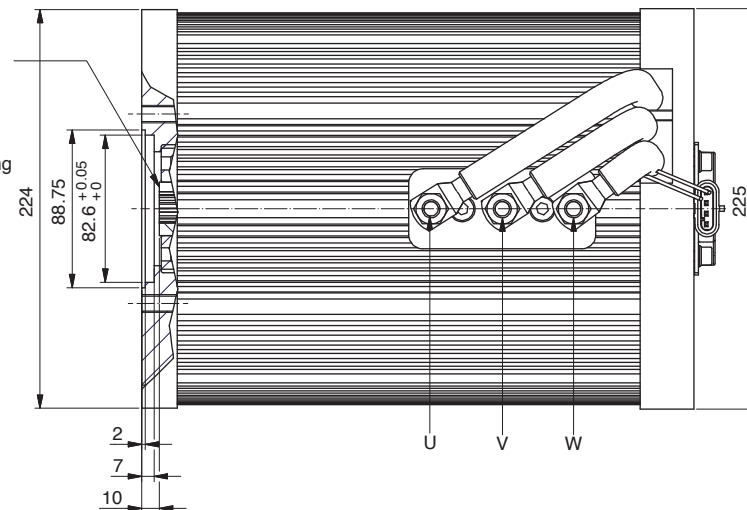


ALE200.P0130



Spline Shaft
DP 16/32
z.11
Useful 30 mm
Heat treatment
Induction hardening
HRC 57-58



Power	19000 W
Tension	48 V
Speed	2850 Rpm
Torque	63.7 Nm
Enclosure	IP 20