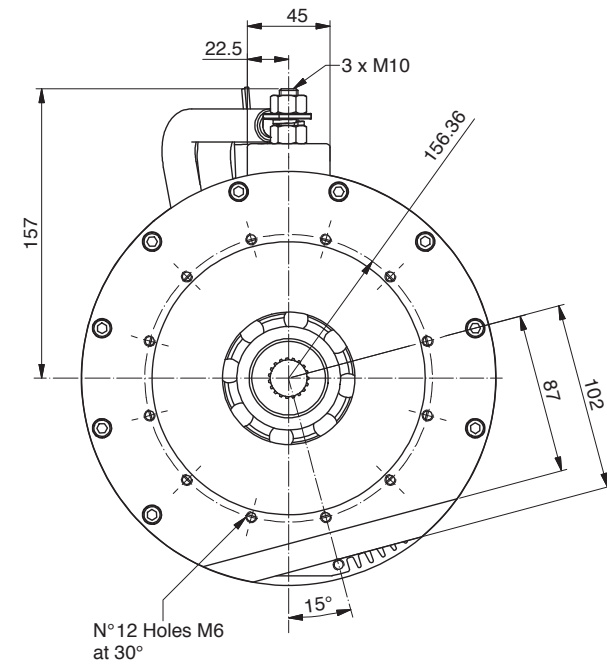
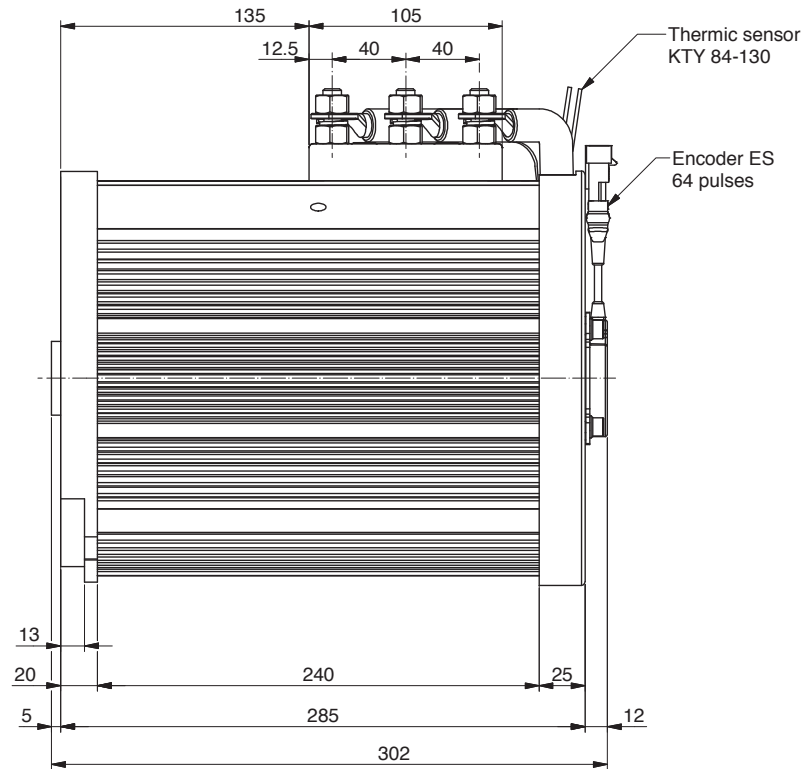
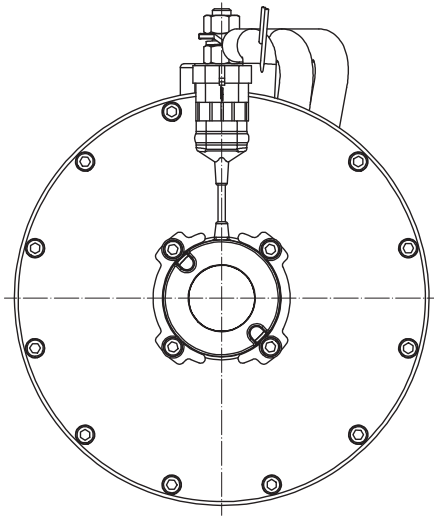
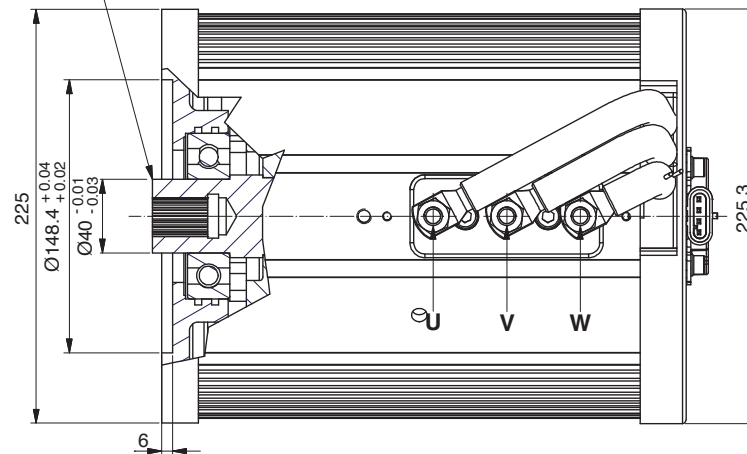


ALE200.0023



Splined Shaft 24/48 DP
19T - Useful 35mm
Heat treatment
Induction Hardening
HRC 60



Power	10000 W
Tension	96 V
Speed	4300 Rpm
Torque	22.2 Nm
Enclosure	IP 20