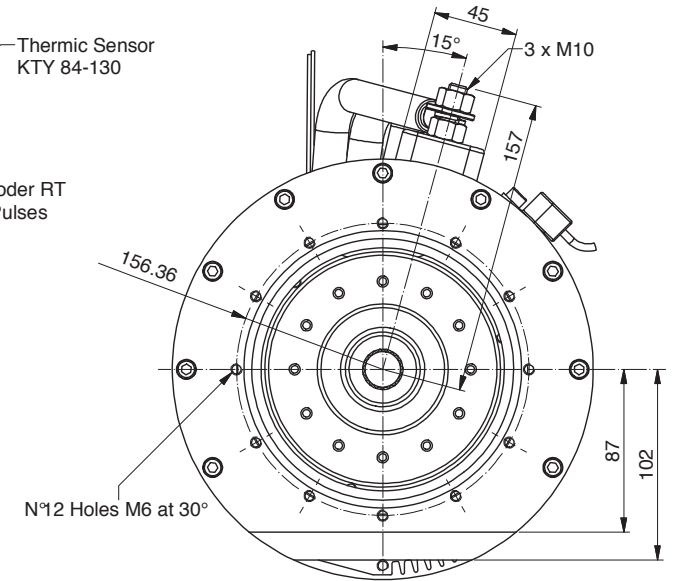
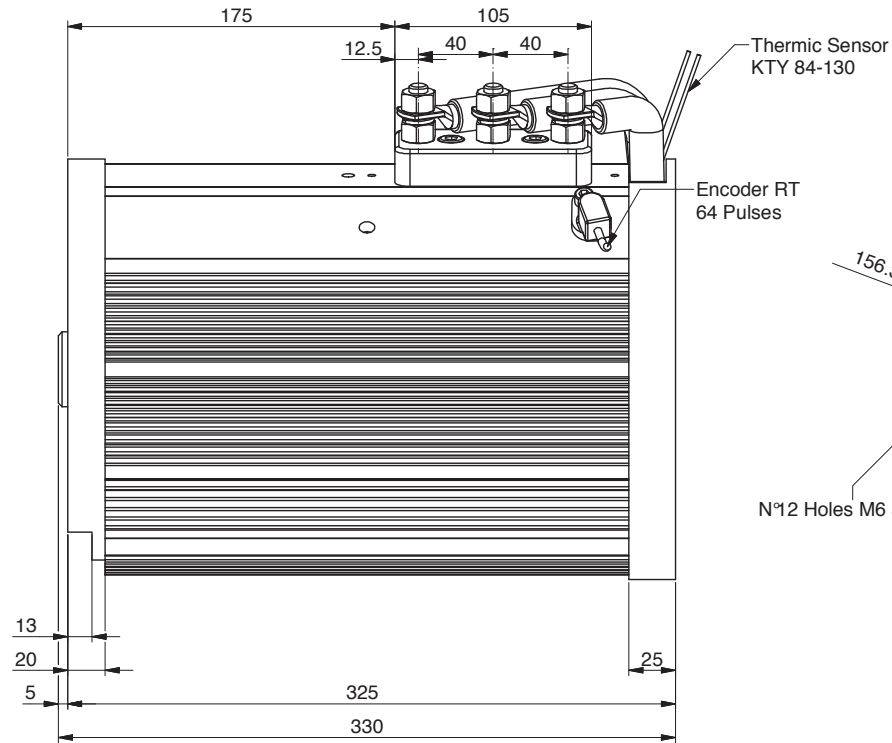
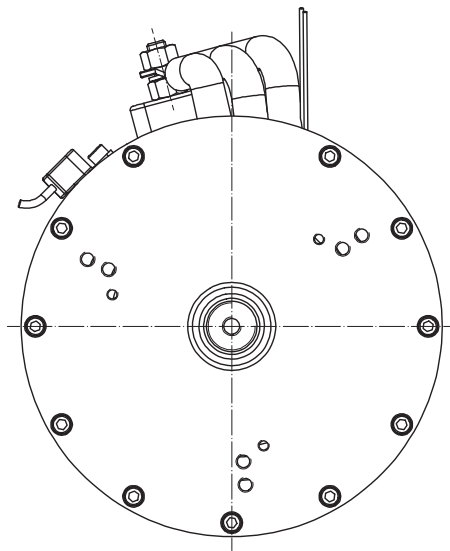
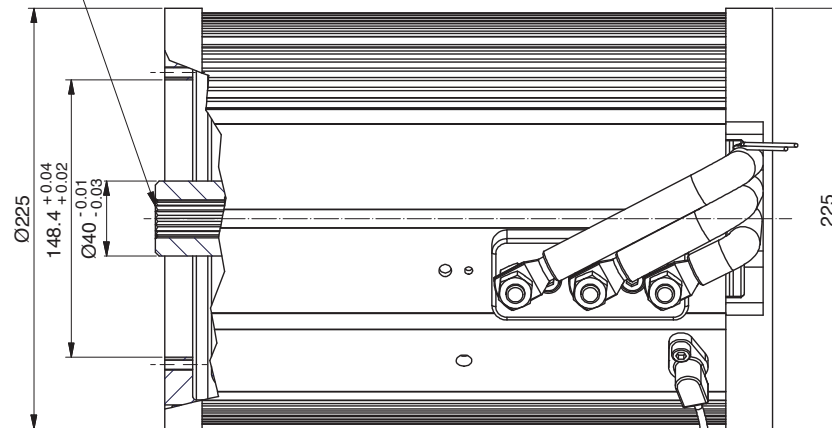


ALE200.P0007



Splined Shaft 24/48 DP
19T - Useful 35 mm
Heat treatment
Induction hardening
HRC 60



Power	7000 W
Tension	48 V
Speed	2300 Rpm
Torque	29.1 Nm
Enclosure	IP 44