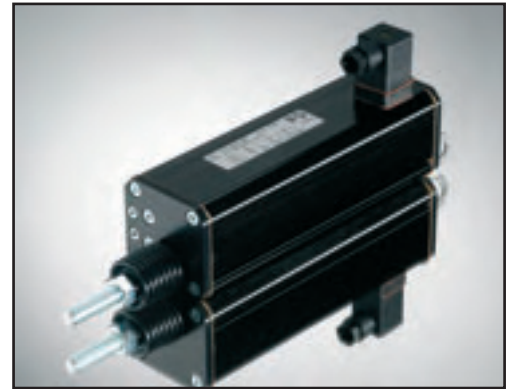


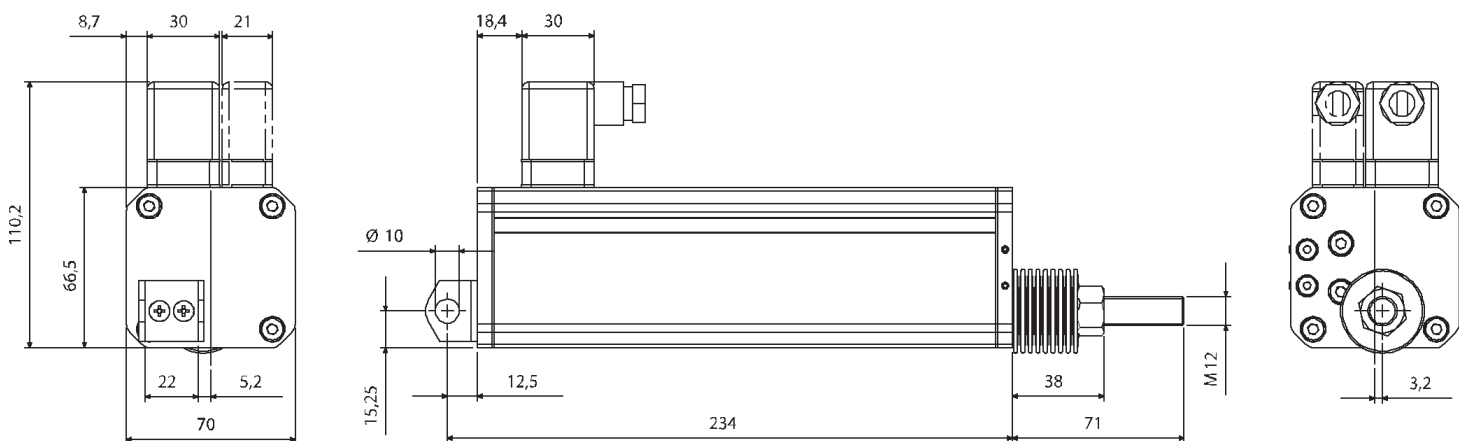
## E411 Linear Actuator

The E411 is a linear actuator for general purposes. It is equipped with a DC-motor, planetary gearbox and a rack. Due to its modular design speed, force and length can be changed. Also are a multi-turn potentiometer and CANopen options.

- Compact design
- Adjustable limit switches
- 12 VDC / 24 VDC
- Ideal for vibrating environment
- Backless <1mm

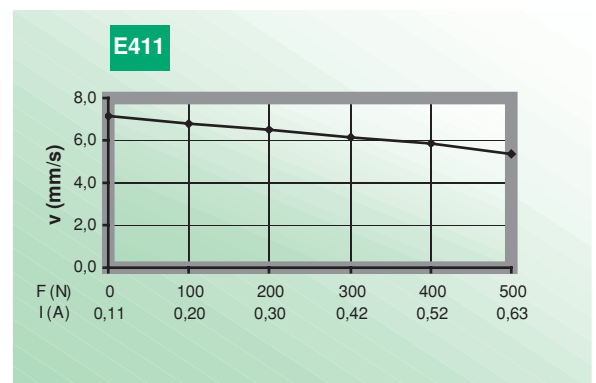


Application example: Speed control on diesel engines, ventilation valves, etc.



### Specifications

	Standard
Force	500N
Supply voltage	24 VDC
Speed at rated load	5.5 mm/sec
Current	0.6 A
Housing	Black anodized aluminum
Protection class	IP65
Stroke min./max.	10/110 mm
Duty cycle	80 %



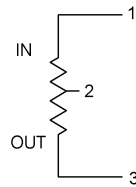
### Options

- Feedback: Potentiometer 10 kOhm
- Fork joint link M12
- Electronic limit switch (overload protection)
- Special features on request e.a.: different speeds / strokes, feedback, brushless and build-in CANopen controller

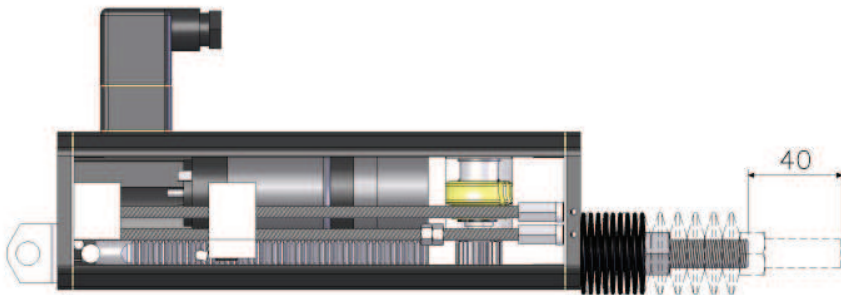
### Wiring diagram actuator out:

1 = +  
2 = -

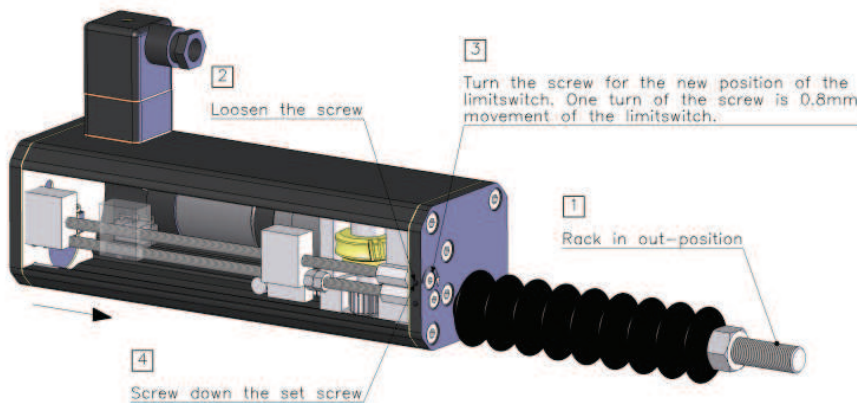
### Wiring diagram potentiometer (optional):



### Standard set-up



### To adjust limit switch in-position:



### To adjust limit switch out-position (Max. 1Nm torque):

