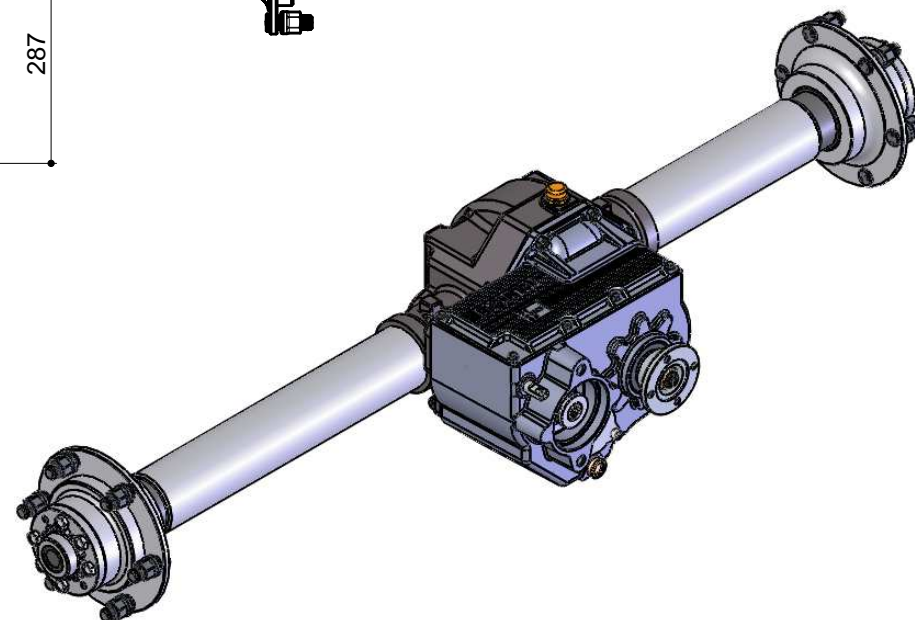
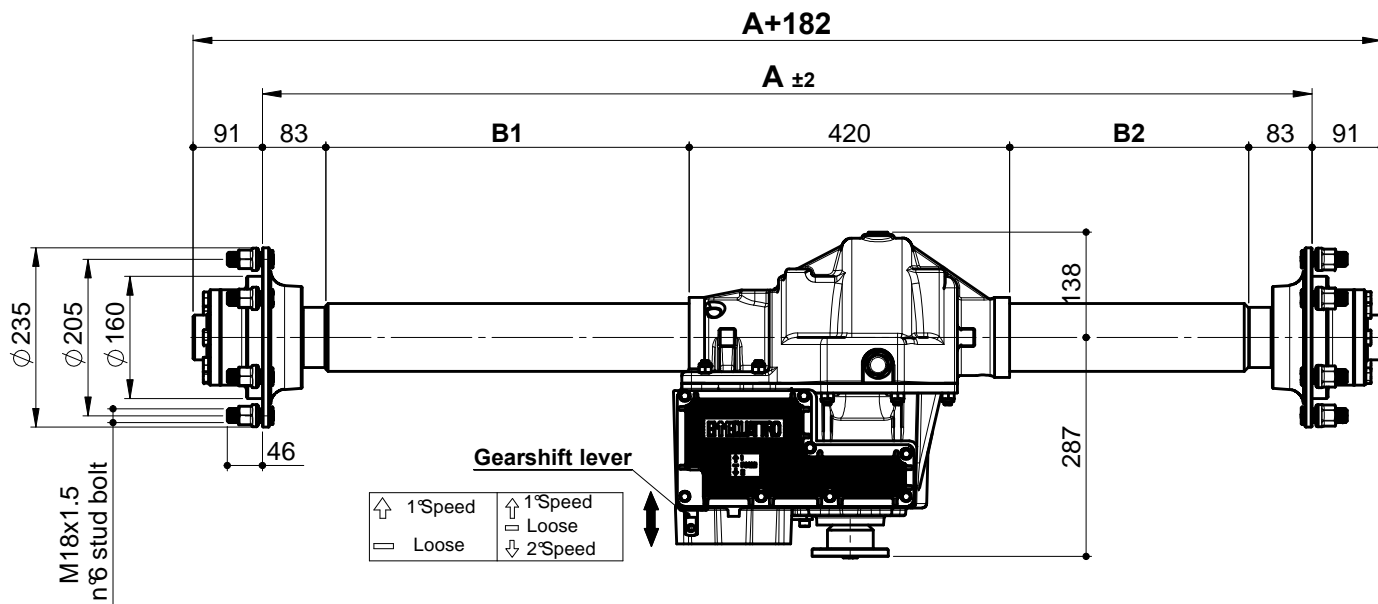
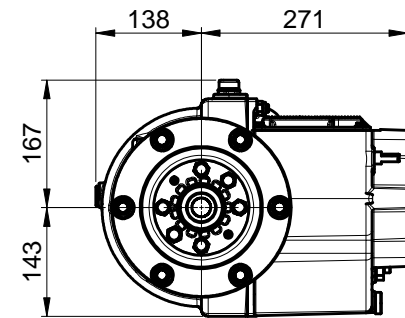
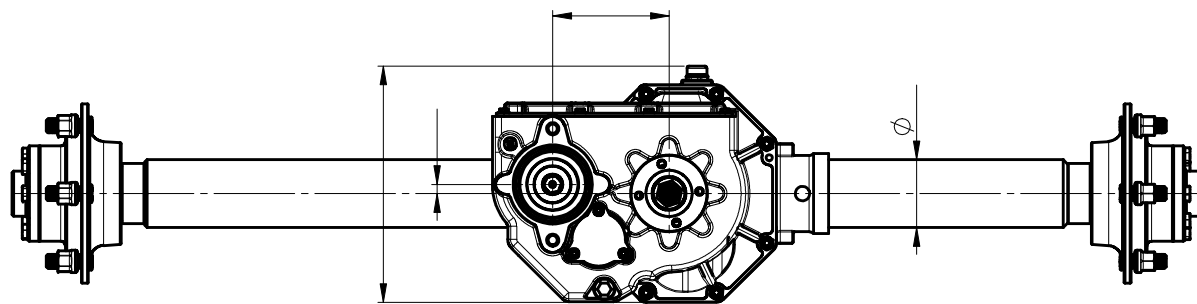


AVAILABLE WITH ONE OR TWO SPEED

Denominazione:



TECHNICAL DATA

| | | |
|-------------------------|-----------------------------|-------------------------|
| Max allowable axle load | 30000 | N |
| Max wheel torque | 3200 | Nm |
| Max steering angle | - | |
| Axle ratio | - | |
| Gear box | 1 st speed ratio | 1:31.21 |
| | 2 nd speed ratio | 1:7.71 / 1:12.16 |
| Input max rpm | 5000 | rpm |
| Min track width | 980 | mm |
| Max track width | 1600 | mm |

OPTIONAL

See attachments