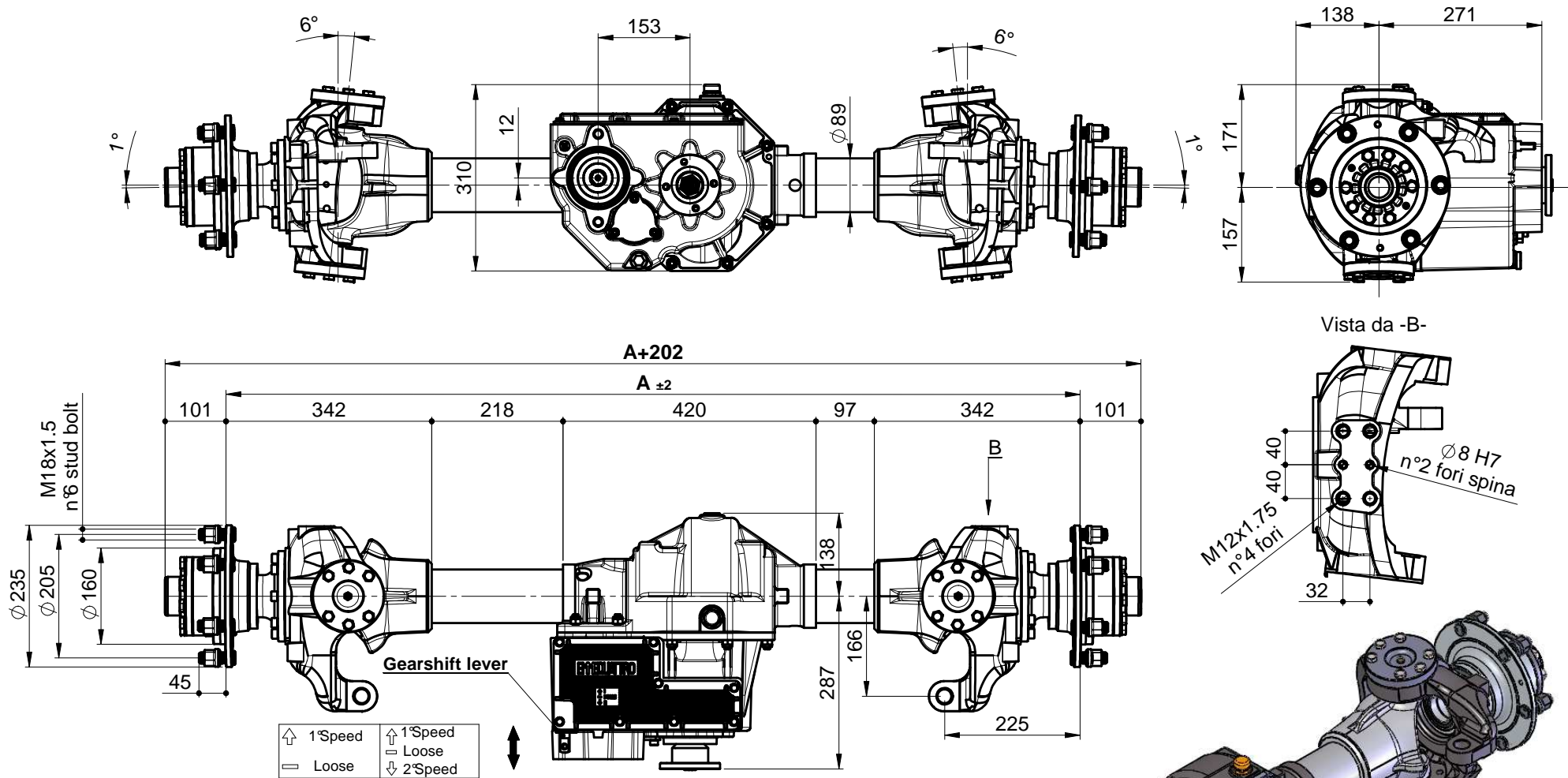


AVAILABLE WITH ONE OR TWO SPEEDS



TECHNICAL DATA

Max allowable axle load	26000	N
Max wheel torque	4000	Nm
Max steering angle	-	
Axle ratio	-	
Gear box	1 st speed ratio	1:31.21
	2 nd speed ratio	1:7.71 / 1:12.16
Input max rpm	4000	rpm
Min track width	1270	mm
Max track width	1800	mm

OPTIONAL

See attachments

