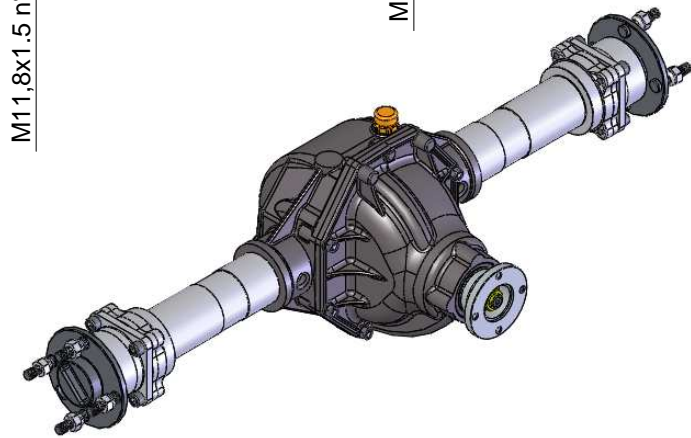


M11,8x1,5 n°4 stud bolt



DETTAGLIO A  
SCALA 1 : 3

### TECHNICAL DATA

Max allowable axle load	20000	N
Max wheel torque	1800	Nm
Max steering angle	-	
Axle ratio	1:4.375	
Gear box	1 <sup>st</sup> speed ratio	-
	2 <sup>nd</sup> speed ratio	-
Input max rpm	3200 rpm	
Min track width	500 mm	
Max track width	1350 mm	

### OPTIONAL

See attachments