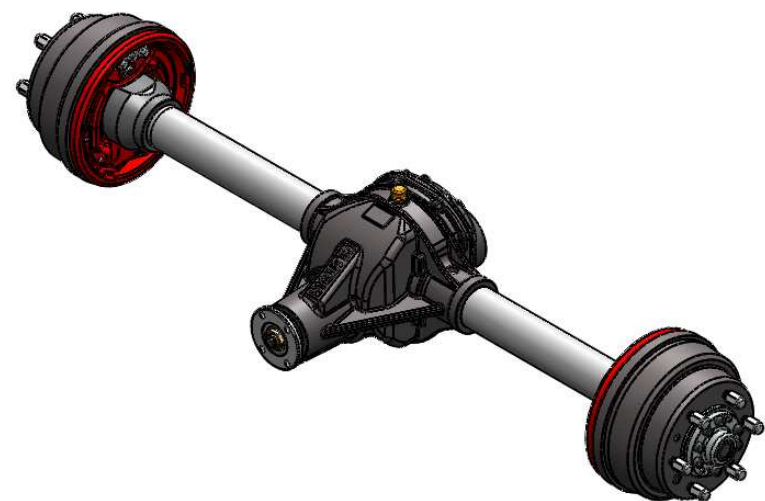


INTERFACCIA
TRASMISSIONE



TECHNICAL DATA		
Max allowable axle load	30000	N
Max wheel torque	3500	Nm
Max steering angle	-	
Axle ratio	1:5.857	
Gear box	1 st speed ratio	-
	2 nd speed ratio	-
Input max rpm	5000	rpm
Min track width	1100	mm
Max track width	1700	mm
OPTIONAL		
See attachments		