



TRANSAXLES & POWER DRIVE UNITS
Made in Italy

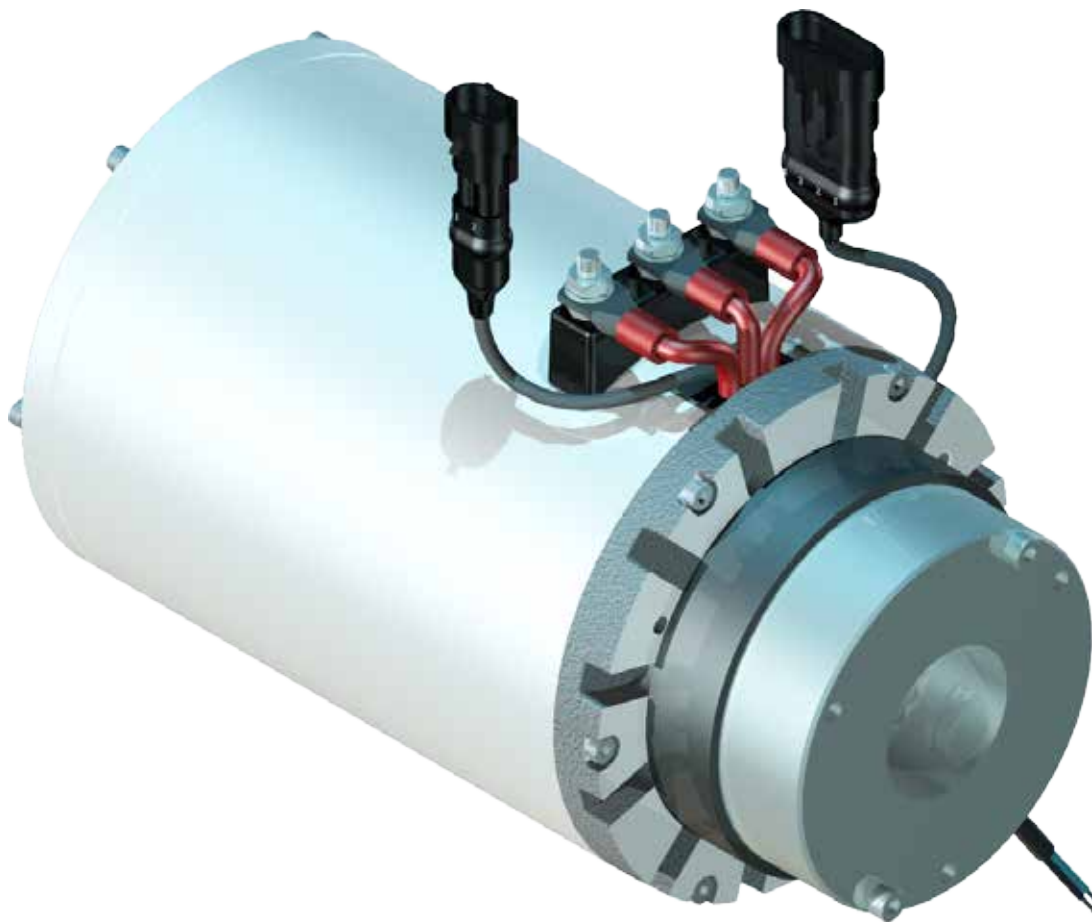


IDEAS IN MOTION



BATTERY DRIVE SYSTEMS AND MOTORS

ASYNCHRONOUS MOTOR 1.5kW



Technical Specifications

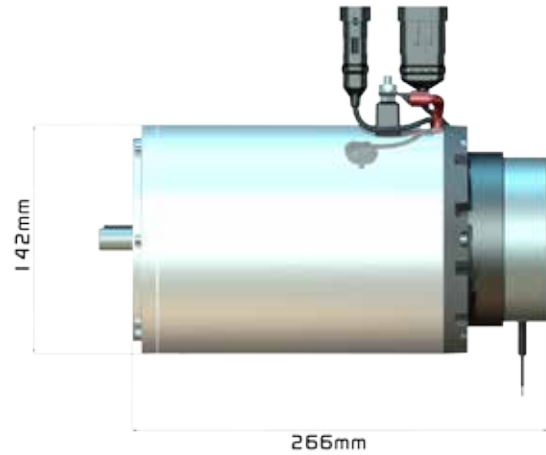
Motor Type	Asynchronous
Rated Power	1,5 kW
Service	S2 60 Minutes
Rated Voltage	24V- 48V
Stator Execution	3 Phase - 4 Poles
Protection Class	IP20
Cooling	Self - Vortex System
Insulation	Class F
Weight	12 Kg
Cast Housing	Lightweight Aluminium Alloy
Encoder Type	Hall Effect 64 Pulse
Encoder Protection	IP 66
Thermal Protection	Temperature Sensor KTY 84-130
Standard Connectors	AMP Superseal

ASYNCHRONOUS MOTOR 1.5kW

Features

- Compact Size
- High Efficiency
- Precise Control
- Maintenance Free
- Low Noise Operations
- Made in Italy Product
- Aluminium squirrel cage rotor
- EM Brake Prepared (8 ÷ 20Nm)
- Ambient Temperature -20 + 60°C
- Complies with CE Standards
- UL Design Available on Request
- ATEX Version Available on Request
- 36-48V Execution available on Request

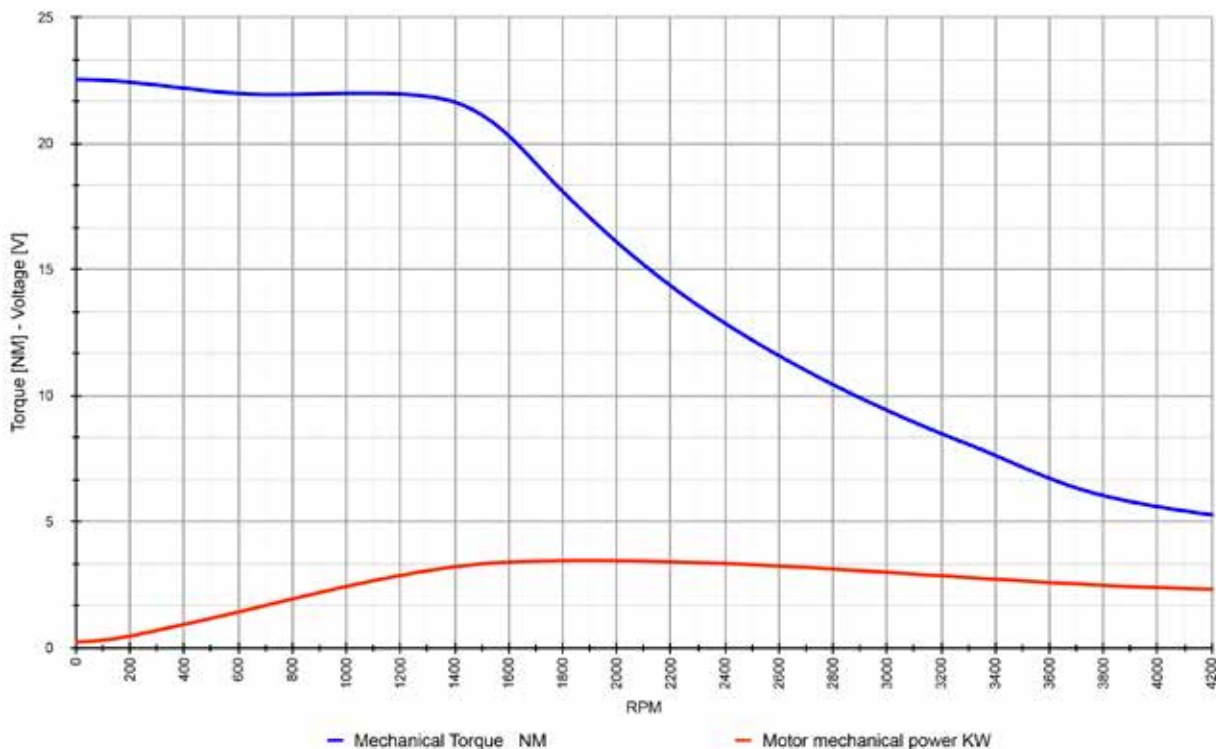
Dimensions



AVAILABLE FOR TX1 & TX1 **PLUS**

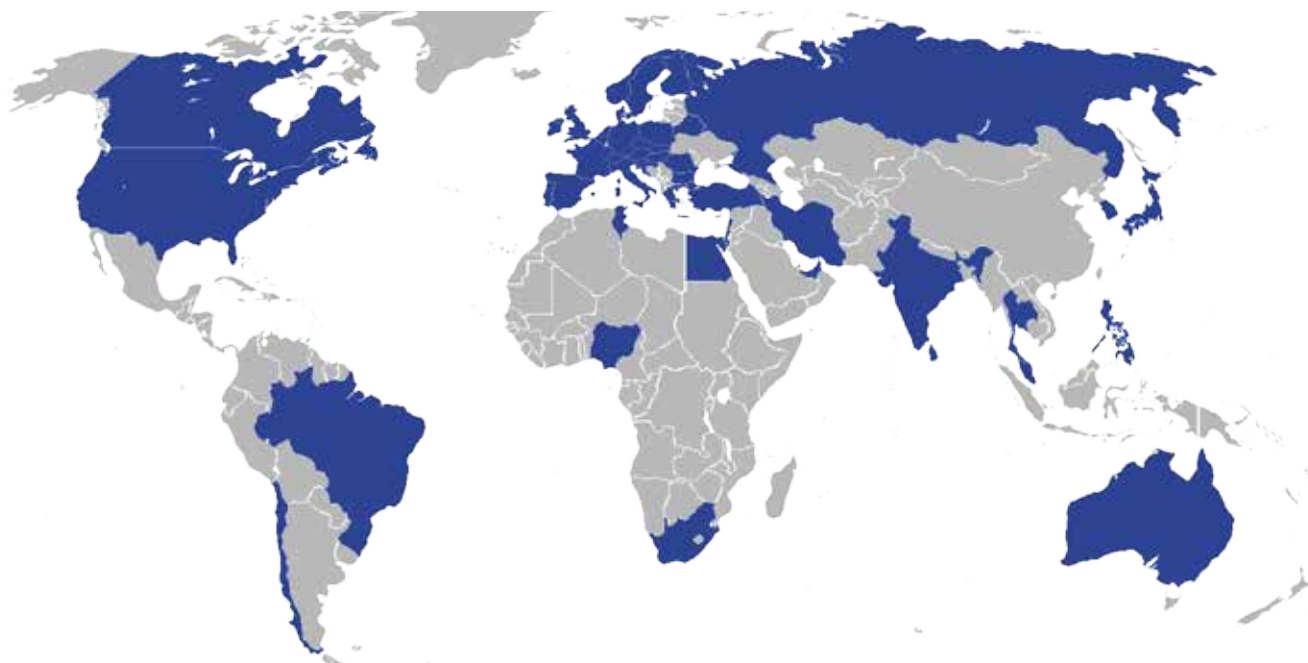


Standard Motor Curve



Designed & Manufactured in Italy

our products are sold in 40 countries across 5 continents



Abu Dabhi
 Austria
 Australia
 Belarus
 Belgium
 Brazil
 Bulgaria
 Canada
 Chile
 Croatia
 Czech Republic

Denmark
 Dubai
 Finland
 France
 Germany
 Hungary
 India
 Iran
 Ireland
 Israel
 Italy

Japan
 Lebanon
 The Netherlands
 Nigeria
 Norway
 Philippines
 Poland
 Portugal
 Romania
 Russia
 Singapore

Slovenia
 South Africa
 South Korea
 Spain
 Sweden
 Switzerland
 Thailand
 Tunisia
 Turkey
 United Kingdom
 U.S.A.

