

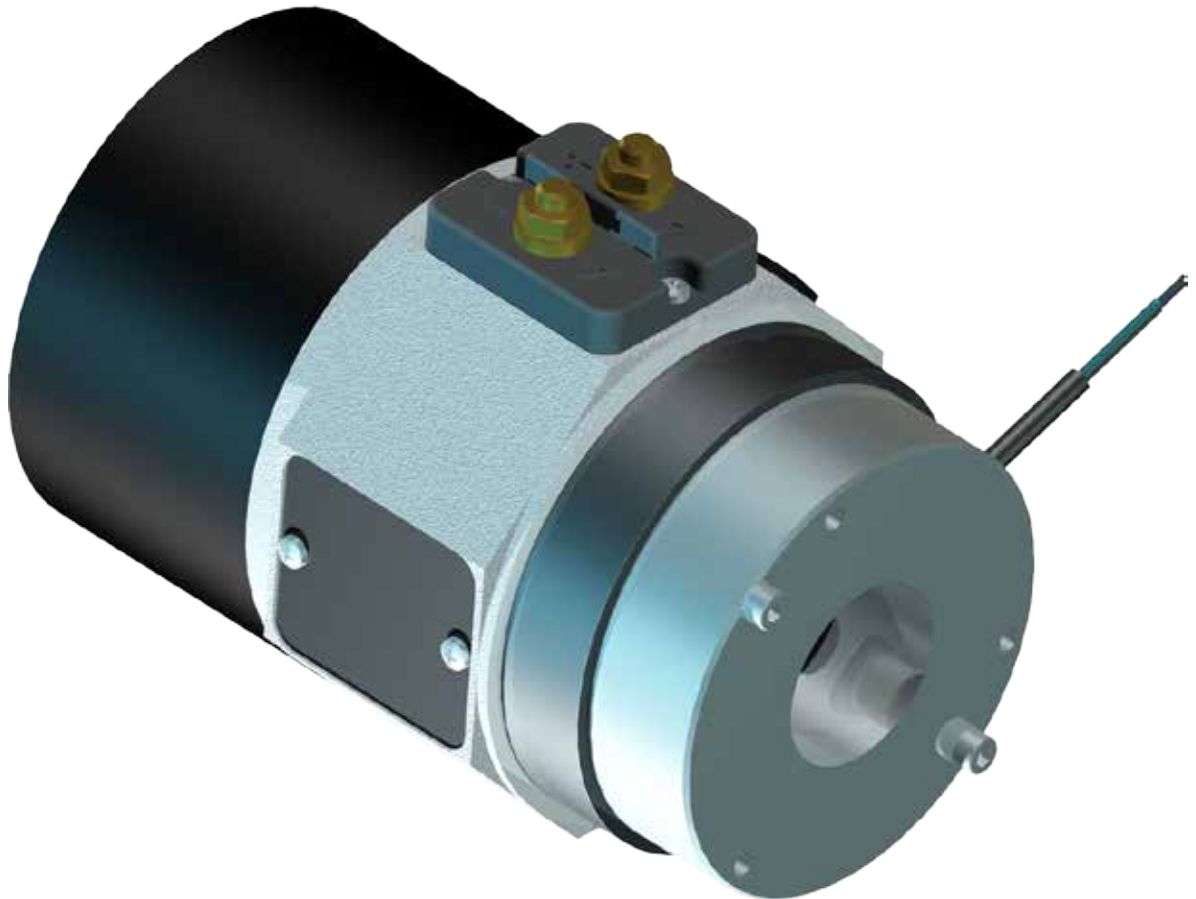
benevelli

TRANSAXLES & POWER DRIVE UNITS
Made in Italy

ALPATEK

BATTERY DRIVE SYSTEMS AND MOTORS

DC PERMANENT MAGNET 300W



Technical Specifications

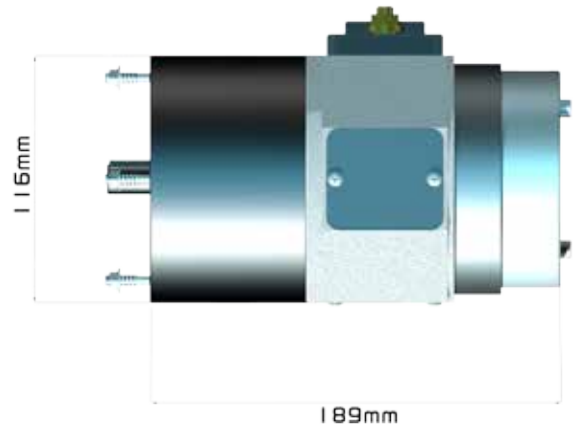
Motor Type	Direct Current Permanent Magnet
Rated Power	0,300 kW
Service	S2 30 Minutes
Rated Voltage	24V
Max. Revolution	3000rpm
Execution	4 Poles
Protection Class	IP54
Insulation	Class F
Weight	5,3 Kg
Cast Housing	Die Cast Alloy
Commutator	Silver-Copper Alloy
Rotor	Skewed Cogging-Less
Magnet Type	Ferrite
Brushes Type	Graphite-Copper

DC PERMANENT MAGNET 300W

Features

- Compact Size
- High Efficiency
- Precise Control (Cogging-less)
- High Coercive Force Magnets
- Low Noise Operations
- Made in Italy Product
- Long-Life Brushes, Costant Force Springs
- EM Brake Prepared (4 ÷ 12Nm)
- Ambient Temperature -10 + 60°C
- Complies with CE Standards
- UL Design Available on Request
- ATEX Version Available on Request
- 36V Execution Available on Request

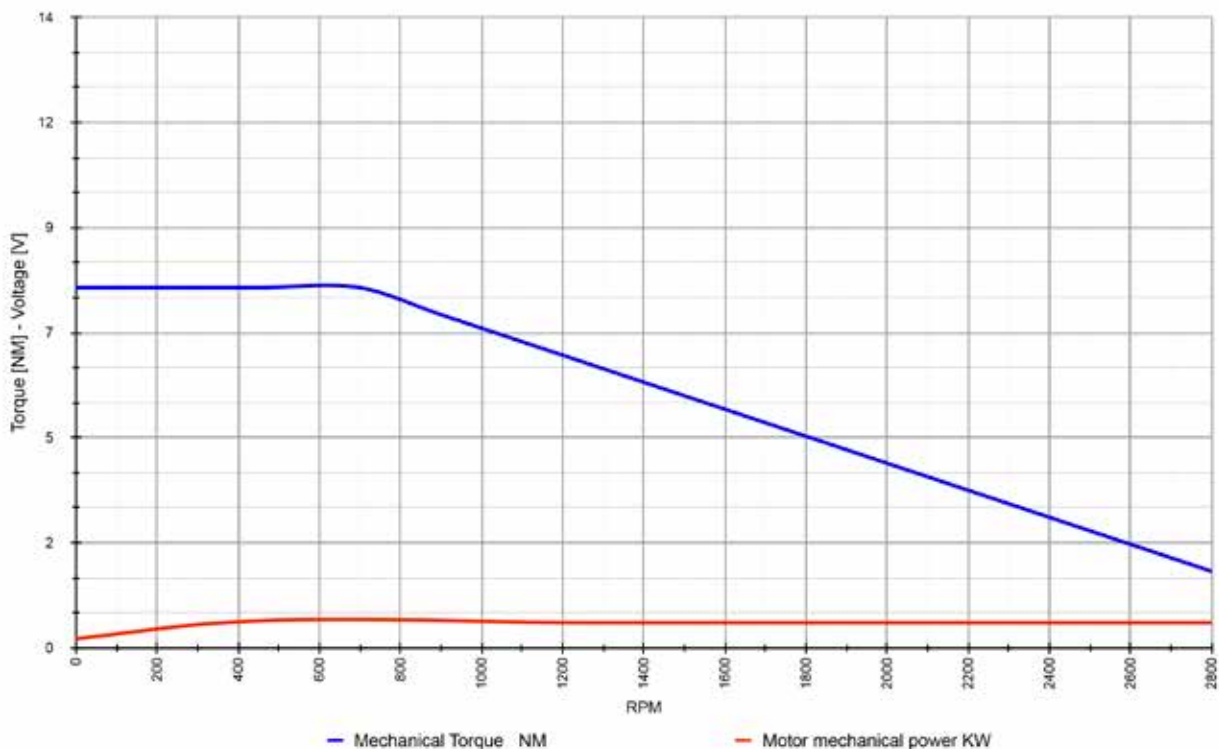
Dimensions



AVAILABLE FOR TX1

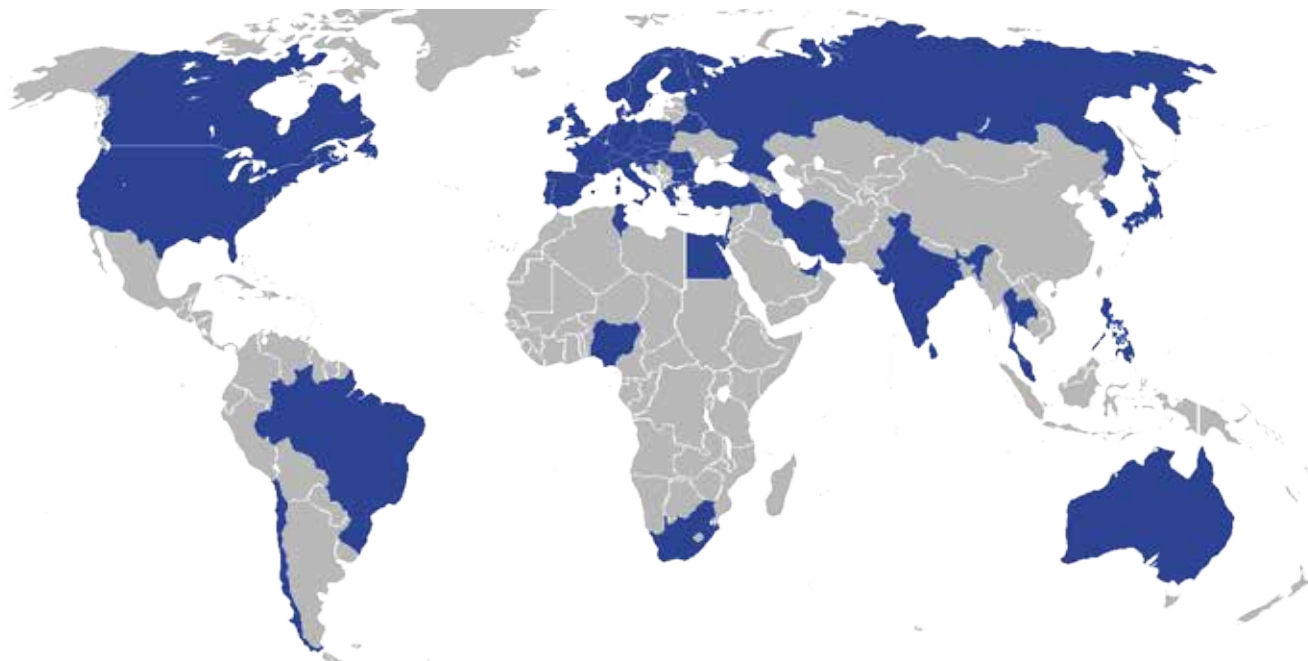


Standard Motor Curve



Designed & Manufactured in Italy

our products are sold in 40 countries across 5 continents



Abu Dabhi
 Austria
 Australia
 Belarus
 Belgium
 Brazil
 Bulgaria
 Canada
 Chile
 Croatia
 Czech Republic

Denmark
 Dubai
 Finland
 France
 Germany
 Hungary
 India
 Iran
 Ireland
 Israel
 Italy

Japan
 Lebanon
 The Netherlands
 Nigeria
 Norway
 Philippines
 Poland
 Portugal
 Romania
 Russia
 Singapore

Slovenia
 South Africa
 South Korea
 Spain
 Sweden
 Switzerland
 Thailand
 Tunisia
 Turkey
 United Kingdom
 U.S.A.

