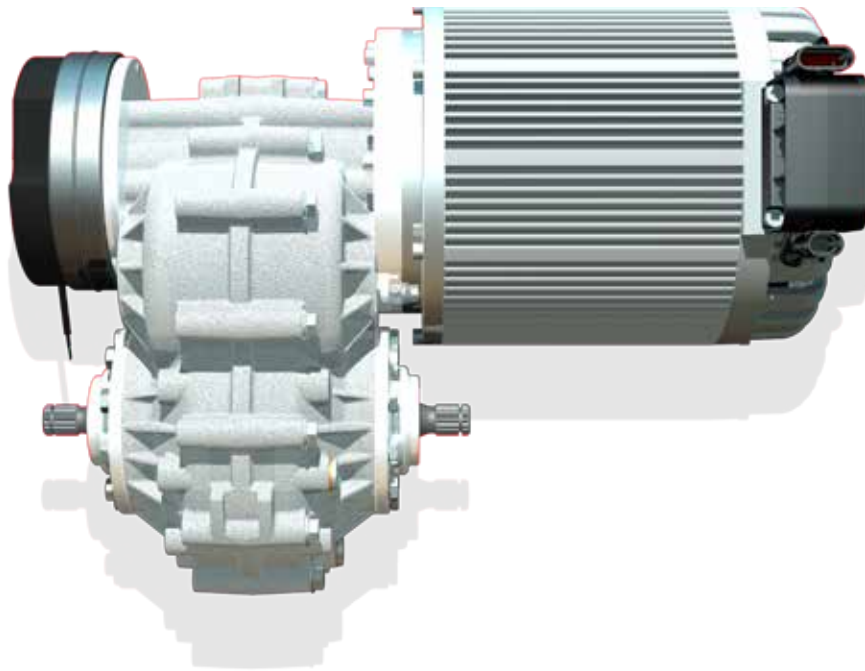


benevelli

TRANSAXLES & POWER DRIVE UNITS
Made in Italy



TX2 SERIES

TRANSAXLES DRIVE UNIT

ALPATEK

BATTERY DRIVE SYSTEMS AND MOTORS

AC CVJ VERSION

Asynchronous High Efficiency Motors

The TX2 Transaxle Drive System is a complete package comprised of a reduction/differential gear assembly, rigid drive axle, AC motor and an electromagnetic parking brake. Different gear ratios, track-width, wheel hubs, drum brakes are available for customization. The main features of our products are their extremely robust structure and high quality components for a heavy duty use, every product is designed and produced in our Italian facility, for this reason we can guarantee a strong control over quality and repeatability.

Technical Specifications

| | |
|---------------------|---|
| Gear Ratios | 1:05 1:07 1:10 1:13 1:16 1:22 1:28 1:35 1:43 1:56 |
| Output Torque | 1400Nm (1032ft.lbs) Maximum |
| Input Speed | 7200Rpm Maximum |
| Static Load Rating | 1400Kg (3086lb) |
| Lubrication | Oil SAE80W90 GL3 0,5Litres (1.05Pintes) |
| Output Shafts | Splined or flanged |
| Fixing | Mounting Brackets |
| Cast Housing | Aluminium/Silicon Alloy |
| Gears Finishing | Involute Grinding Profile |
| Differential Type | Bevel Gear |
| Efficiency | 95% |
| Motor Type | Asynchronous |
| Motor Rated Power | From 2.0kW up to 19.0kW |
| Motor Rated Voltage | From 24V up to 80V |
| Motor Insulation | Class F 155°C (311°F) |
| Braking System | Electromagnetic Brake |
| Braking Torque | From 20Nm up to 50Nm |



TX2 AC CONSTANT-VELOCITY JOINTS

EM Brake

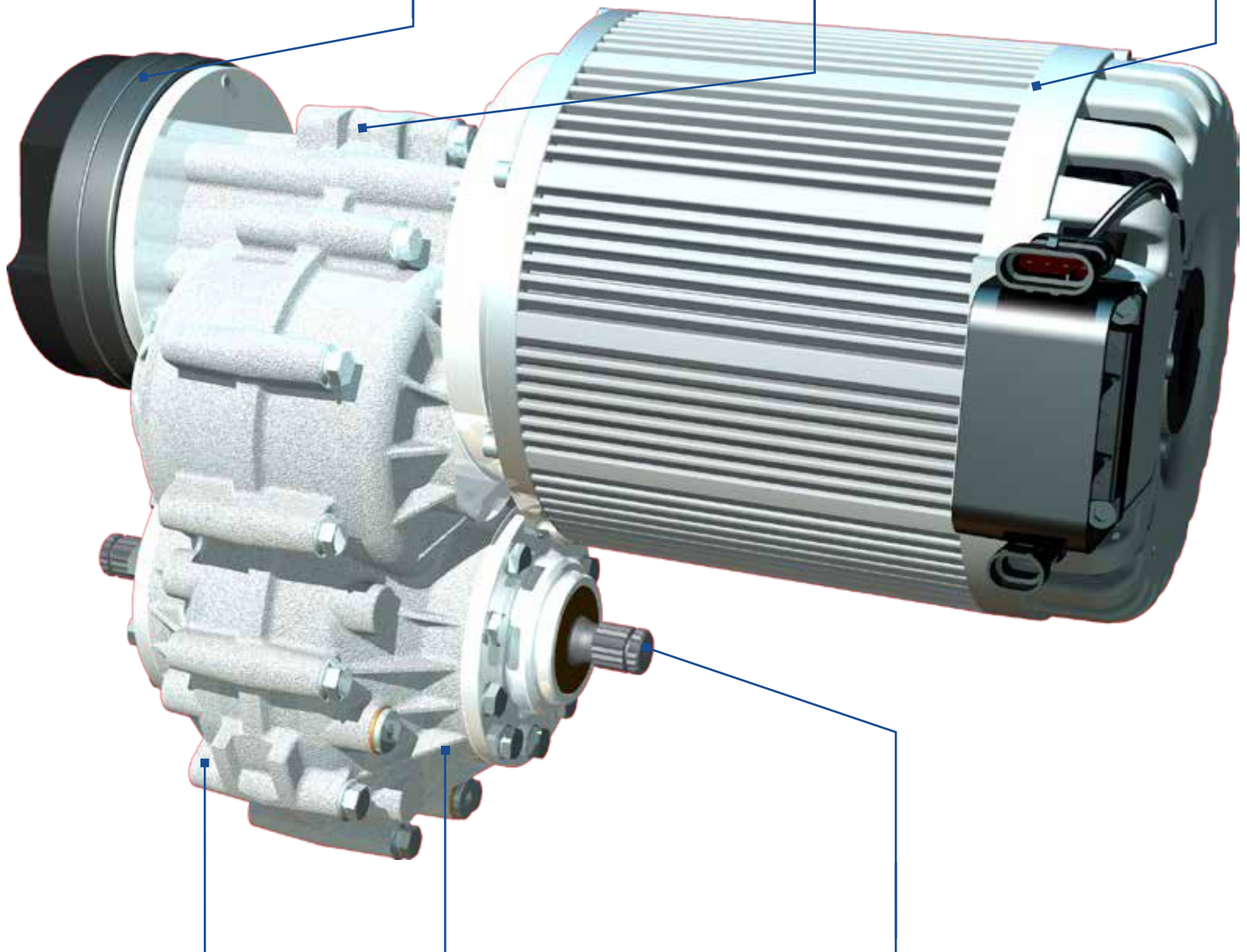
Available with several braking torques, it slow and stop transaxle motion. Compact size thanks to its position (opposite side to the motor). Hand release available

Gears Finishing

Hardened alloy steel gears with involute grinding profile ensure maximum efficiency and low constant noise level. Several gear ratios available

AC Motor

High Efficiency Aluminium built-in motor designed for traction use. It includes temperature sensor and speed encoder. Max power allowed 19 kW (continuous)



Lubrication

All our products are supplied "ready to use" with adequate quantity and quality lubricating oil speeding installation time

Gearbox Casting

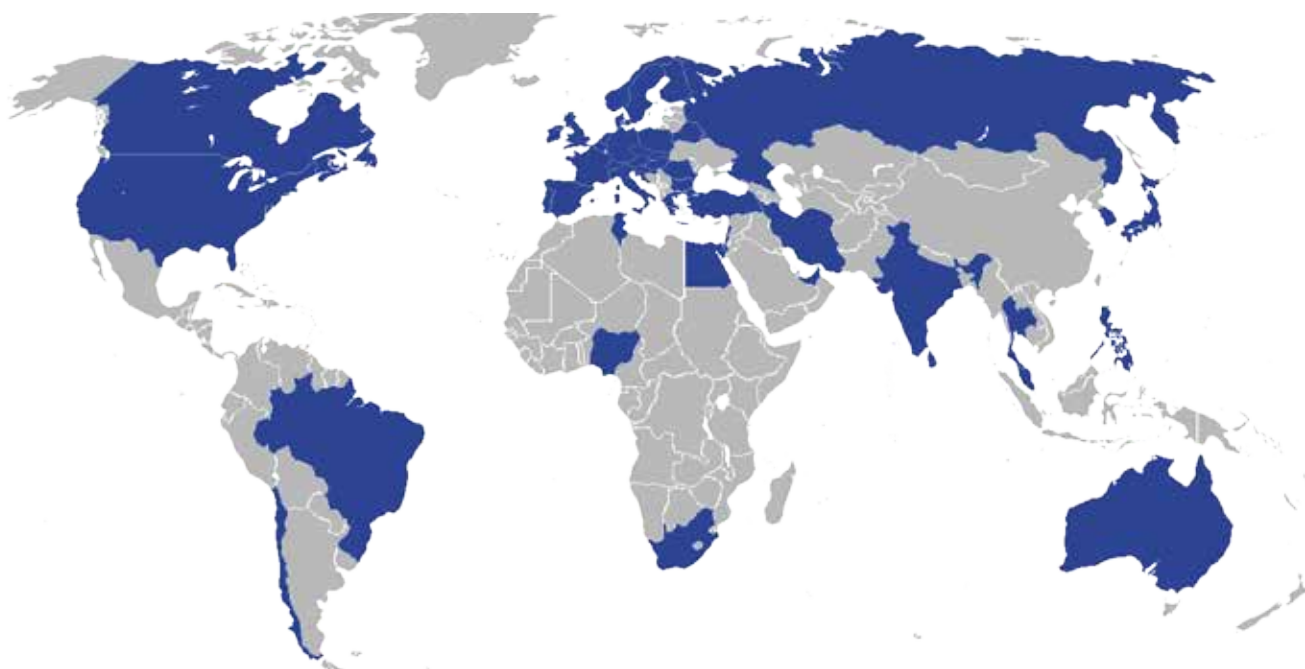
Compact and rugged Aluminium alloy gear housing minimizes weights adding strength thanks to the "Heavy Duty" design

CVJ

Constant velocity joint version with possibility to coupling splined or flanged CVJ. Taylor Made version available on demand

Designed & Manufactured in Italy

our products are sold in 40 countries across 5 continents



Abu Dabhi
 Austria
 Australia
 Belarus
 Belgium
 Brazil
 Bulgaria
 Canada
 Chile
 Croatia
 Czech Republic

Denmark
 Dubai
 Finland
 France
 Germany
 Hungary
 India
 Iran
 Ireland
 Israel
 Italy

Japan
 Lebanon
 The Netherlands
 Nigeria
 Norway
 Philippines
 Poland
 Portugal
 Romania
 Russia
 Singapore

Slovenia
 South Africa
 South Korea
 Spain
 Sweden
 Switzerland
 Thailand
 Tunisia
 Turkey
 United Kingdom
 U.S.A.

