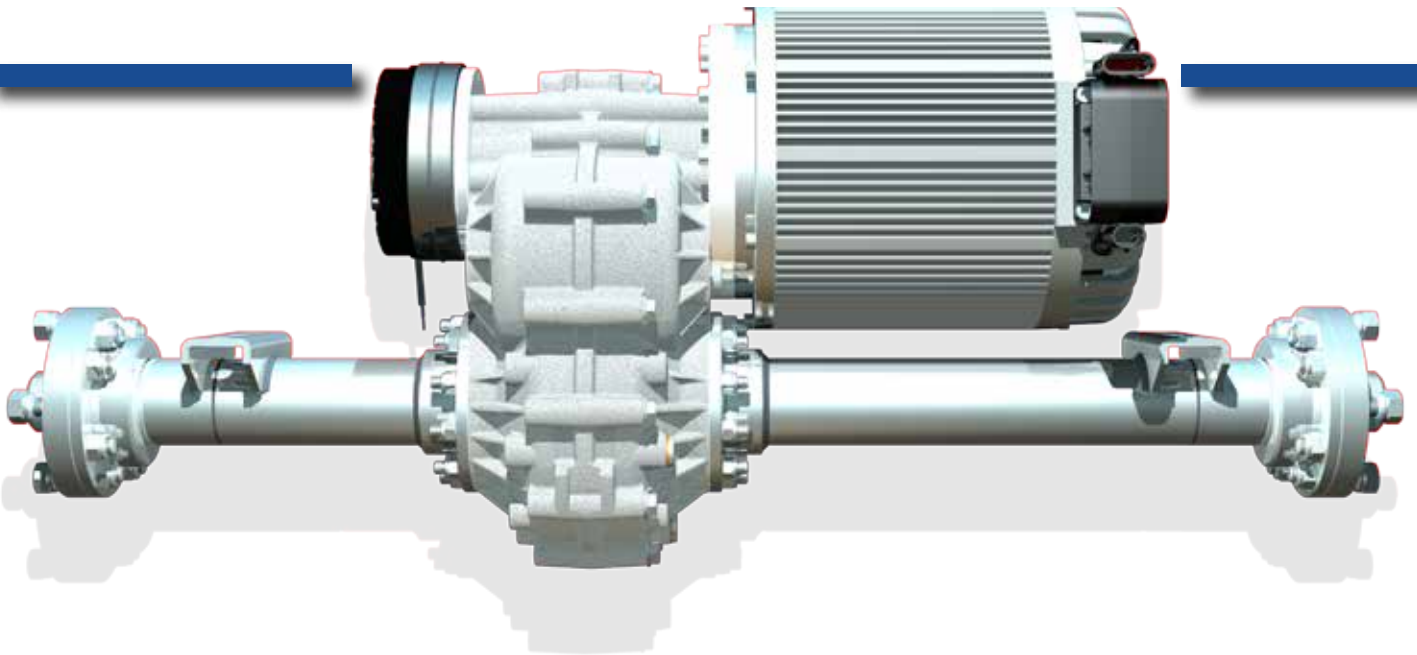


**benevelli**

TRANSAXLES & POWER DRIVE UNITS  
Made in Italy



**TX2 SERIES**

**TRANSAXLES DRIVE UNIT**

**ALPATEK**

BATTERY DRIVE SYSTEMS AND MOTORS

**AC WHEEL HUBS VERSION**

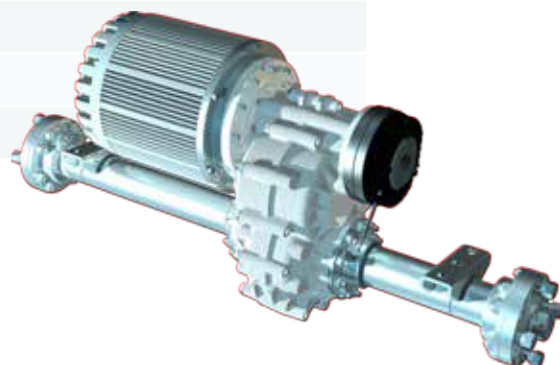
# TX2 AC WHEEL HUBS VERSION

## Asynchronous High Efficiency Motors

The TX2 Transaxle Drive System is a complete package comprised of a reduction/differential gear assembly, rigid drive axle, AC motor and an electromagnetic parking brake. Different gear ratios, track-width, wheel hubs, drum brakes are available for customization. The main features of our products are their extremely robust structure and high quality components for a heavy duty use, every product is designed and produced in our Italian facility, for this reason we can guarantee a strong control over quality and repeatability.

## Technical Specifications

|                     |   |
|---------------------|---|
| Gear Ratios         | 1:05 1:07 1:10 1:13 1:16 1:22 1:28 1:35 1:43 1:56 |
| Output Torque       | 1400Nm (1032ft.lbs) Maximum                       |
| Input Speed         | 7200Rpm Maximum                                   |
| Static Load Rating  | 1400Kg (3086lb)                                   |
| Lubrication         | Oil SAE80W90 GL3 0,5Litres (1.05Pintes)           |
| Trackwidth          | From 600mm (23.5") up to 2000mm (78.5")           |
| Fixing              | Mounting Brackets                                 |
| Cast Housing        | Aluminium/Silicon Alloy                           |
| Gears Finishing     | Involute Grinding Profile                         |
| Differential Type   | Bevel Gear  |
| Efficiency          | 95%   |
| Motor Type          | Asynchronous                                      |
| Motor Rated Power   | From 2.0kW up to 10.0kW                           |
| Motor Rated Voltage | From 24V up to 80V                                |
| Motor Insulation    | Class F 155°C (311°F)                             |
| Braking System      | Electromagnetic Brake                             |
| Braking Torque      | From 20Nm up to 50Nm                              |



# TX2 AC WHEEL HUBS VERSION

## EM Brake

Available with several braking torques, it slow and stop trans-axle motion. Compact size thanks to its position (opposite side to the motor). Hand release available

## Gears Finishing

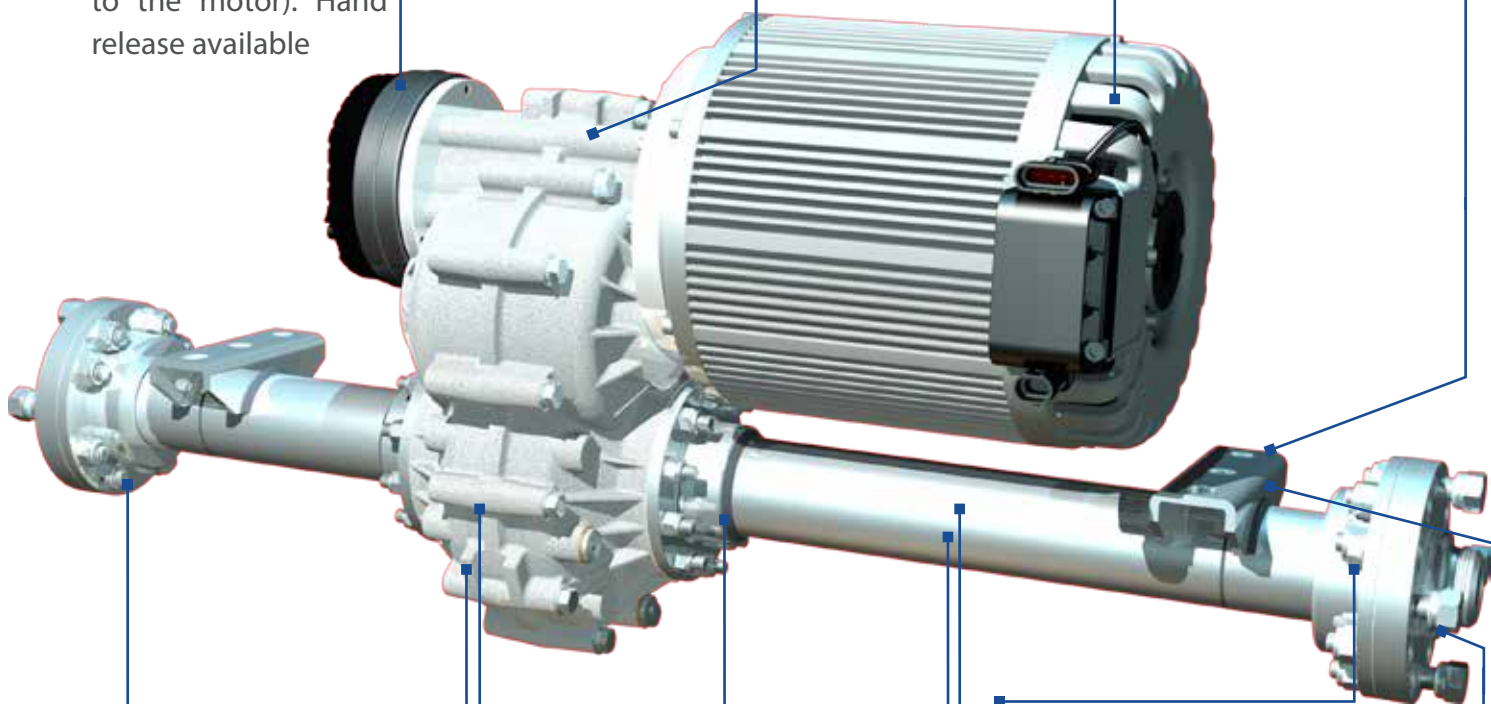
Hardened alloy steel gears with involute grinding profile ensure maximum efficiency and low constant noise level

## AC Motor

High Efficiency Aluminium built-in motor designed for traction use. It includes temperature sensor and speed encoder

## Mounting Position

Seven (7) standard mounting position (tilt on Z axis from 0° to 180°) gives to trans-axle several installation possibilities



## Wheel Fixing

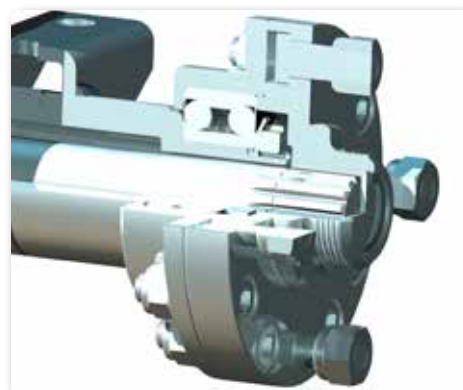
Ten (10) different wheel hub models available (interchangeable), with or without wheel studs, nuts and wheel bolts

## Weldings

Welding operations are performed by robots ensuring the highest safety criteria (TÜV certified EN ISO 15614:2012)

## Wheel Bearings

Angular contact double row bearings & splined driveshafts allow use of transaxles in intensive conditions



## Lubrication

All our products are supplied "ready to use" with adequate quantity and quality lubricating oil

## Rigid Axle

Drawn tubes 57mm diam. & 8mm thickness are heavily installed with built-in studs on gearbox housing

## Track-Width

Four Hundred adjustable standard trackwidth available from 600mm up to 2000mm (flange to flange)

## Gearbox Casting

Compact and rugged Aluminium alloy gear housing minimizes weights adding strength thanks to the "Heavy Duty" design

## Finishing

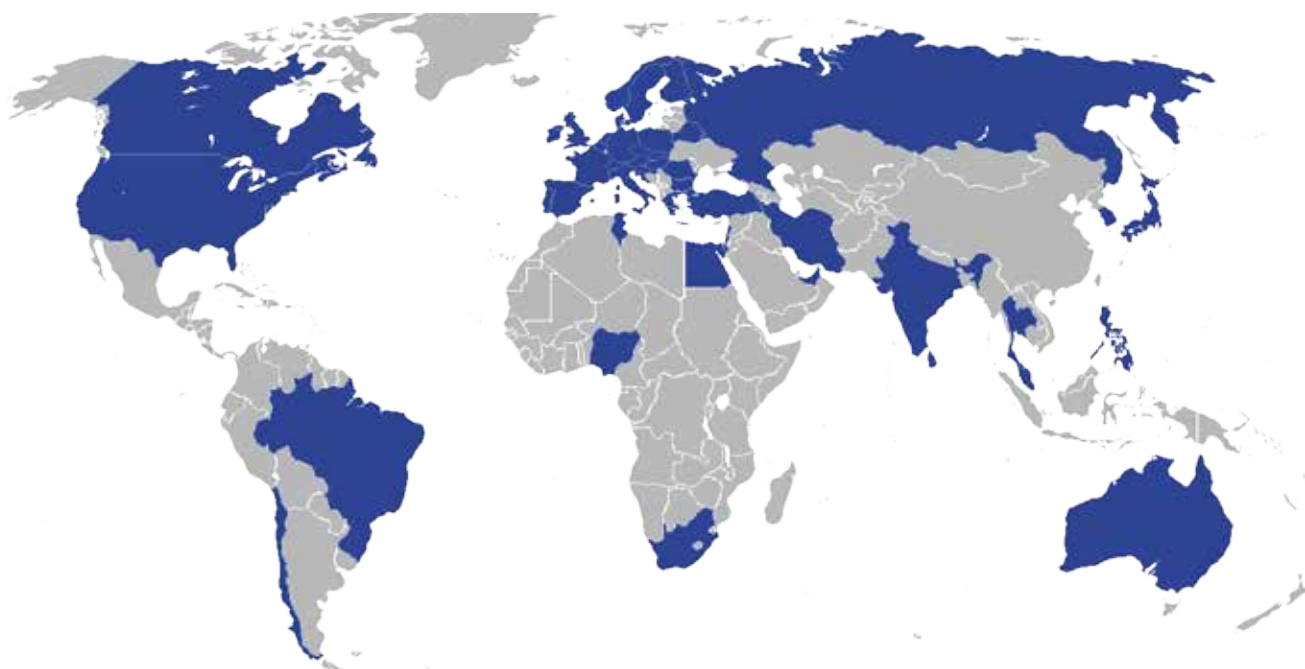
All metallic parts are subjected to long life galvanizing treatment (zinc coating) to withstand the corrosive agents aggression

## Chassis Fixation

Several standard mounting centres available, other mounting options can be developed on demand

Designed & Manufactured in Italy

our products are sold in 40 countries across 5 continents



Abu Dabhi  
 Austria  
 Australia  
 Belarus  
 Belgium  
 Brazil  
 Bulgaria  
 Canada  
 Chile  
 Croatia  
 Czech Republic

Denmark  
 Dubai  
 Finland  
 France  
 Germany  
 Hungary  
 India  
 Iran  
 Ireland  
 Israel  
 Italy

Japan  
 Lebanon  
 The Netherlands  
 Nigeria  
 Norway  
 Philippines  
 Poland  
 Portugal  
 Romania  
 Russia  
 Singapore

Slovenia  
 South Africa  
 South Korea  
 Spain  
 Sweden  
 Switzerland  
 Thailand  
 Tunisia  
 Turkey  
 United Kingdom  
 U.S.A.

