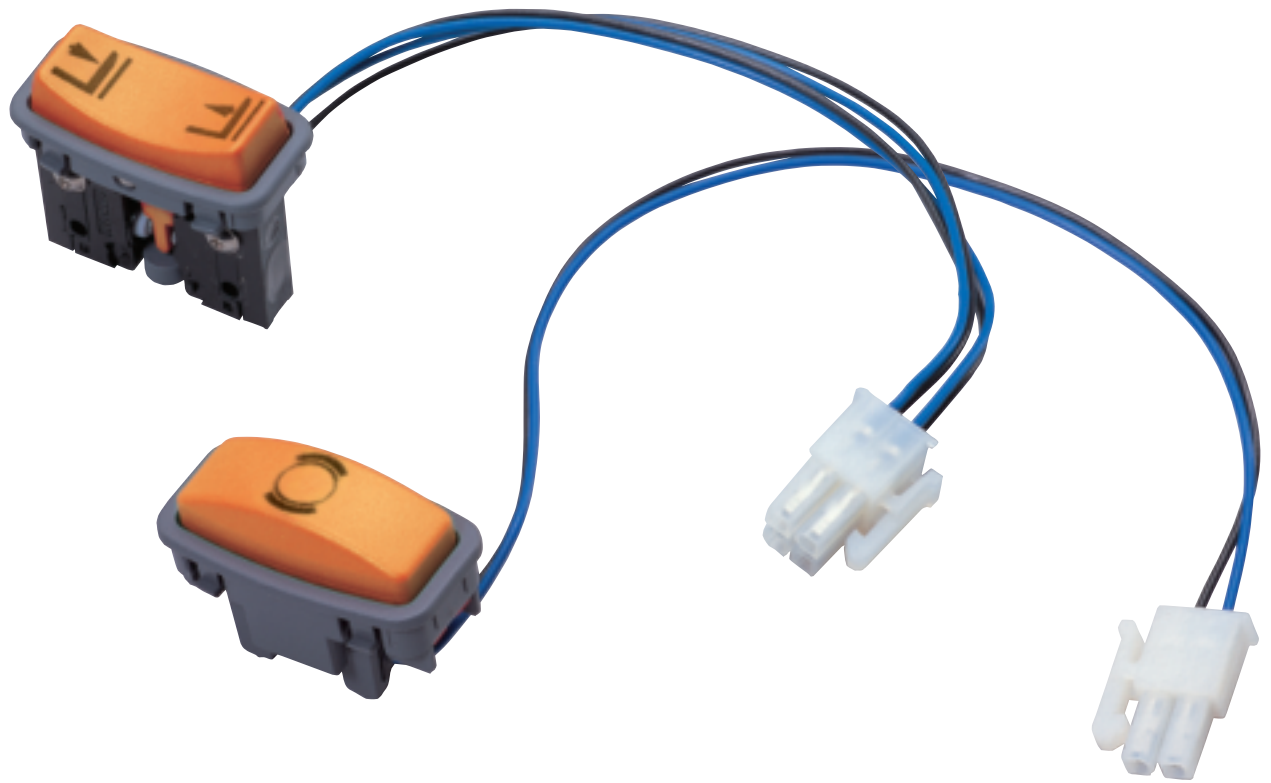


Switches and Buttons



SWITCHES PROGRAM T

In the switches program T we emphasised the visual appearance with an appealing design. The intuitive use by the operator and a high operational life-time for the traction switch was the ambition. For the application the technical features such as the protection class, operating temperature and life-time were important. Equipped with gold contacts, you can use the switches for low current electronic circuits. You can select out of push buttons, rocker switches and latched rocker switches.

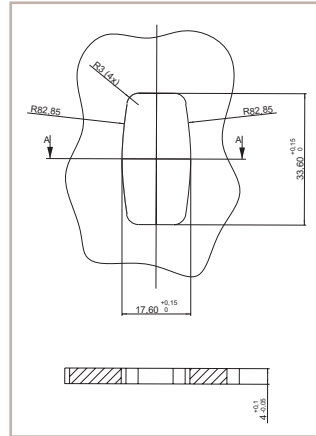
- Good tactile performance
- Partly with gold contacts
- Operating temperature - 40°C to +85°C
- Resistant against environmental influences
- Protection class IP 67

Switches and Buttons

Symbols

- You can choose our standard symbols for the operation elements.
- Of course we are able to use your customer-specific symbols in .dxf format.
- The symbols are labelled by a laser and are consequently resistant against environmental influences.

Mounting Hole [mm]

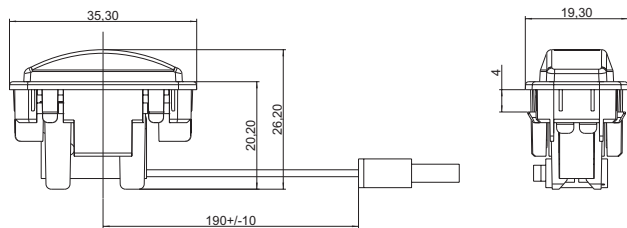


Technical Specifications

Button and Momentary Rocker Switch

Contact	Micro Switch (change-over-contact)
Minimum load	0.2 mA 2 V
Ideal load	5 mA 3 V – 50 mA 24 V
Life time	1,000,000 cycles
Protection class (DIN 40050)	IP 67 (except connector)
Operating temperature	-40°C to +85°C

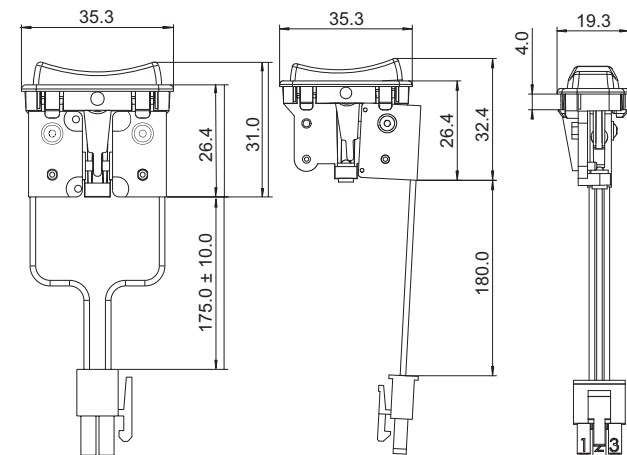
Dimensions [mm]



Technical Specifications

Latched Rocker Switch

Contact	Micro Switch (change-over contact)
Minimum load	0.2 mA 2 V
Ideal load	5 mA 3 V – 50 mA 24 V
Life time	200,000 cycles
Protection class (DIN 40050)	IP 67 (except connector)
Operating temperature	-40°C to +85°C



Connector Pin Assignment Molex Mini-Fit, Jr.™

Push Button 39-01-2020

PIN 1	common
PIN 2	NO

Latched Rocker Switch 39-01-4030

PIN 1	common
PIN 2	NO
PIN 3	NC

Rocker Switch 39-01-2040

PIN 1	common A
PIN 2	NO
PIN 3	common B
PIN 4	NO

Special contacts available on request

Order Data

Part No.	Description
3203-00090-00	Button without symbol
3203-00090-OA	Button with symbol „Raise“
3203-00090-OB	Button with symbol „Lower“
3203-00092-00	Rocker switch without symbol
3203-00092-OV	Rocker switch with symbol „Raise / Lower“
3203-00134-00	Latched rocker without symbol
3203-00134-OV	Latched rocker with symbol „Raise / Lower“

Further variations available on request