



## KEY SWITCH VIARO

The key switch VIARO is characterized by the exclusive Design and the technical functions. The key switch VIARO is the ideal access control to vehicles and machines. The internal locking fits perfectly to the Design of the key head and offers besides a high protection against manipulations. The key head can be realized in different colors and with customized logos. The VIARO is available as one or two-stage normally open contact, also as opener or change over. One version is also available as starting switch with spring return.

- Modern internal locking
- Customized key head
- Key head in different colors possible
- Starting switch with spring return
- Different numbers of locking available
- Normally open, normally closed, change over

# Switches and Buttons

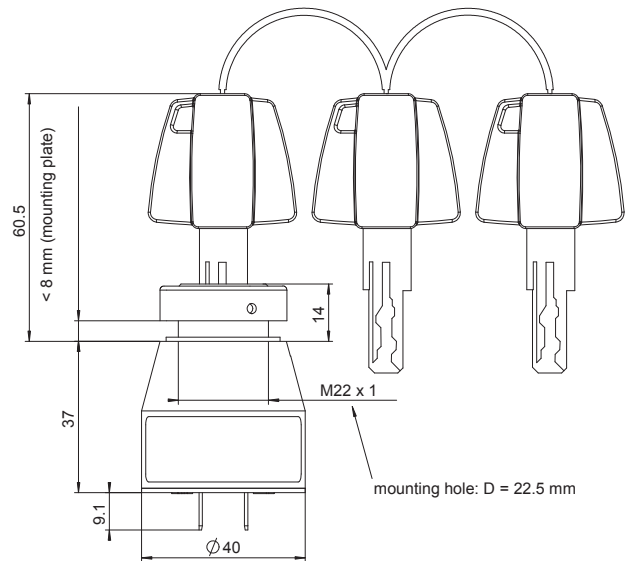


Technical Specifications	
Electrical Specifications	
Switch voltage	12.0 V <sub>DC</sub> – 80.0 V <sub>DC</sub>
Ampacity	21 A
Ampacity with operations < 1 min.	16 A
Connectors	male faston 6.3 mm x 0.8 mm
Operating Conditions	
Operating temperature	-40 to +85 C°
Life time	150,000 cycles
Protection class front	IP 54
Protection class connector side	IP 00

Special Design	
• Customer specific key hosing possible	
• Color of key housing could be also custom specific	

Order Data	
Part-No.	Description
3106-00102NO2	2 switching positions, Normally open
3106-00104CO2	2 switching positions, Change over
3106-00105NO1	1 switching position, Normally open
3106-00275-00	2 switching positions, 2 switching positions incl. spring for turning back into position 1 (engine start)

## Dimensions [mm]



Switching Sequence				
Position	3106- __ NO1	3106- __ CO2	3106- __ NO2	3106-00275-00
0	1 – 2 OFF 3 – 4 OFF	1 – 2 OFF 3 – 4 OFF	1 – 2 OFF 3 – 4 OFF	1 – 2 OFF 3 – 4 OFF
1	1 – 2 ON 3 – 4 ON	1 – 2 OFF 3 – 4 ON	1 – 2 ON 3 – 4 OFF	1 – 2 ON/ignition 3 – 4 OFF
2	– –	1 – 2 ON 3 – 4 OFF	1 – 2 ON 3 – 4 ON	1 – 2 ON 3 – 4 ON/Engine start, spring return into position 1

Switching Sequence				
Position	3106- __ NO1	3106- __ CO2	3106- __ NO2	3106- __
0	1 – 2 OFF 3 – 4 OFF	1 – 2 OFF 3 – 4 OFF	1 – 2 OFF 3 – 4 OFF	1 – 2 OFF 3 – 4 OFF
1	1 – 2 ON/Initation 3 – 4 ON/Initation	1 – 2 OFF 3 – 4 ON/Initation	1 – 2 OFF 3 – 4 OFF	1 – 2 ON/Initation 3 – 4 OFF
2	– –	1 – 2 ON/Initation 3 – 4 OFF	1 – 2 ON/Initation 3 – 4 ON/Initation	1 – 2 ON/Initation 3 – 4 ON/ <b>Anlassen, springt in Pos. 1 zurück</b>