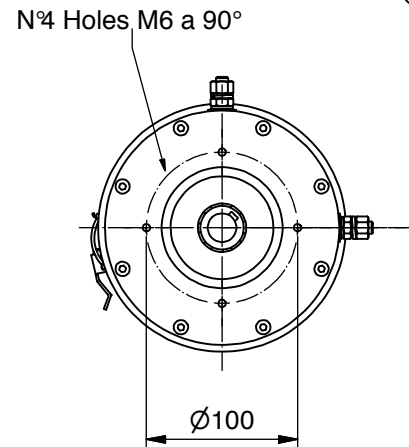
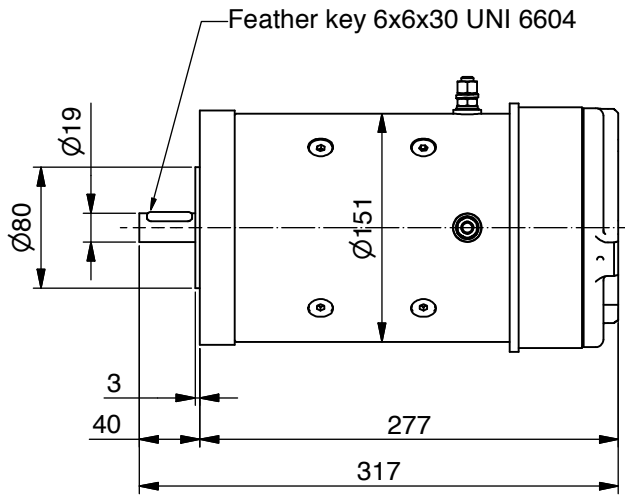
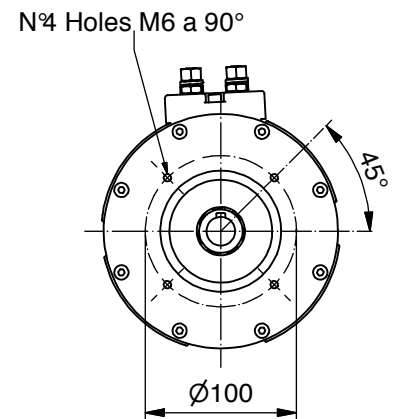
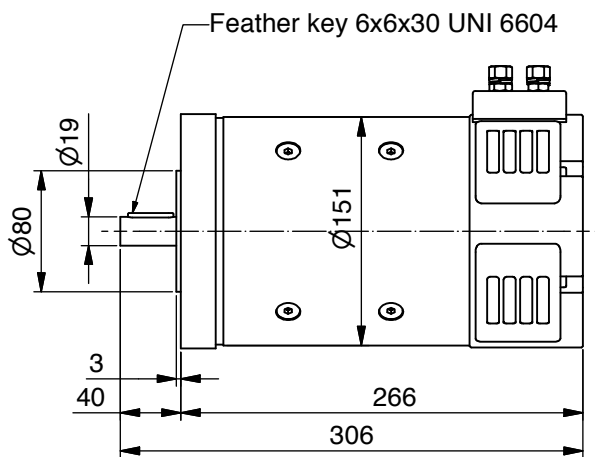


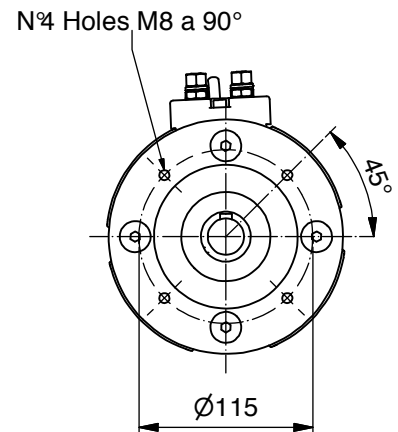
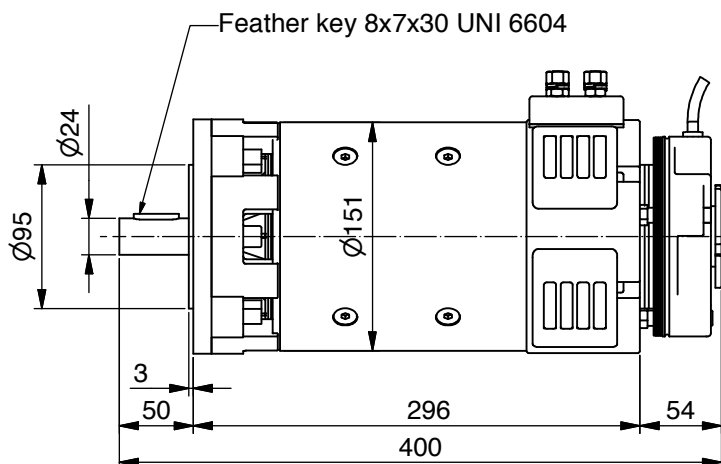
30



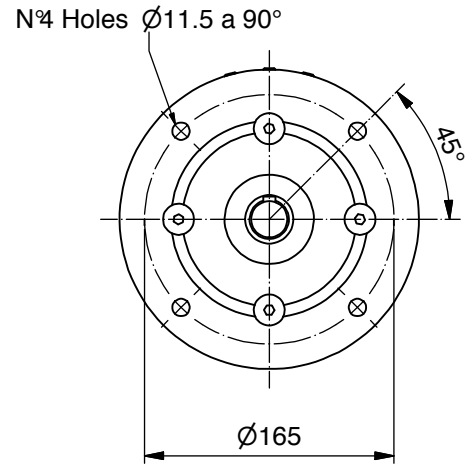
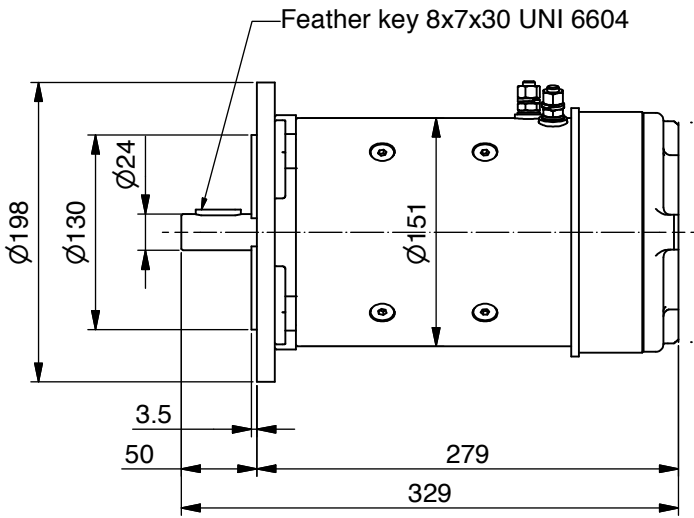
31



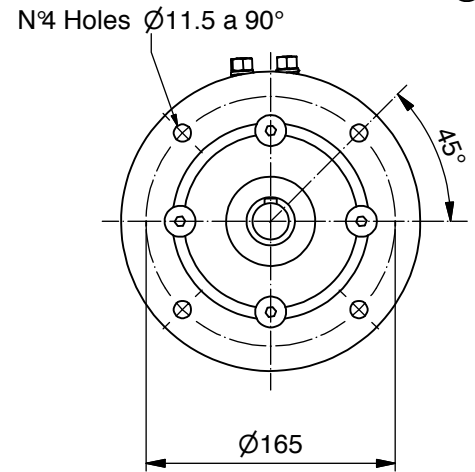
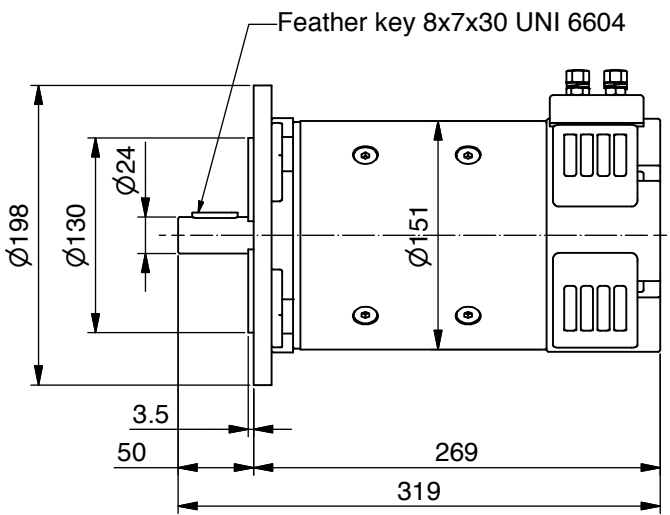
32



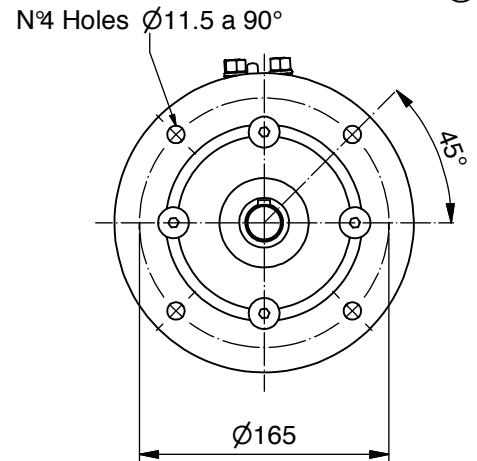
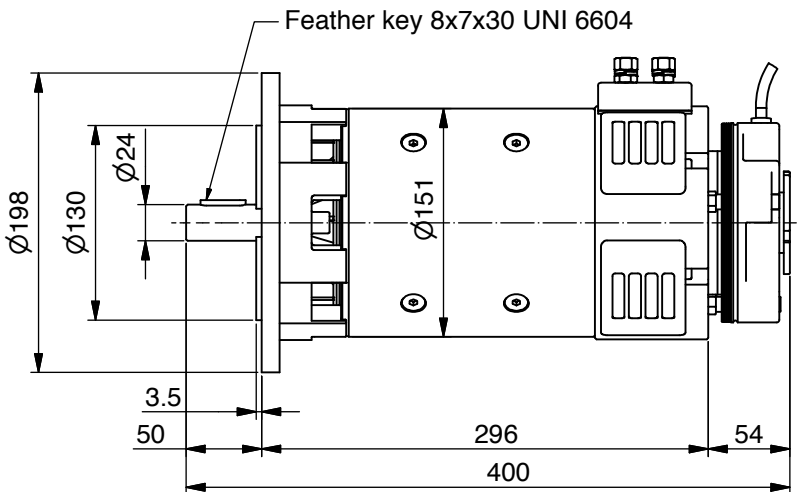
33



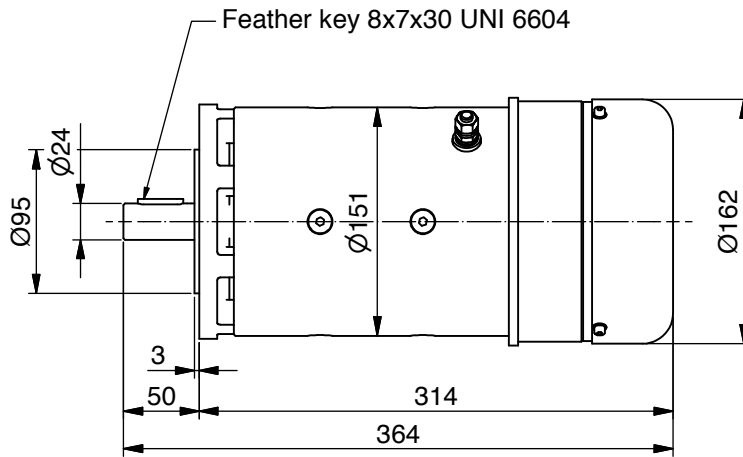
34



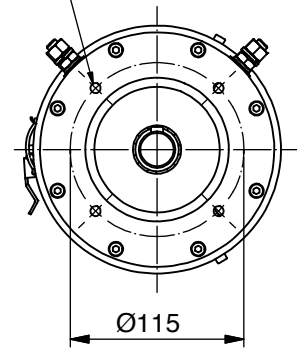
35



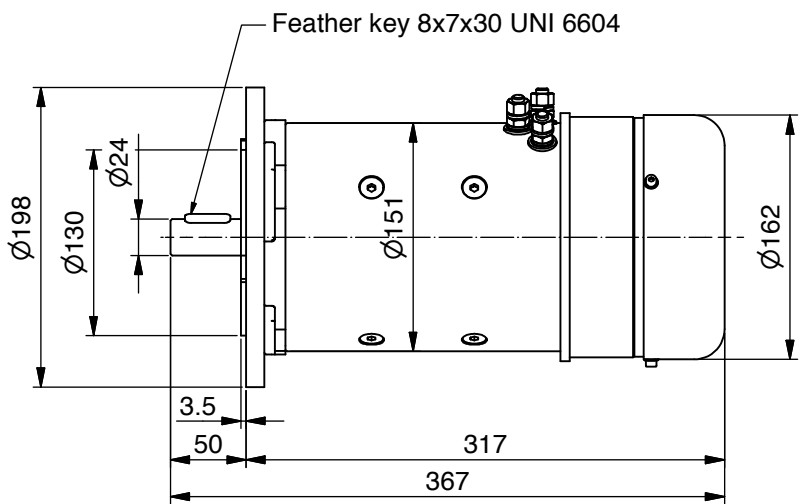
36



N⁴ Holes M8 a 90°

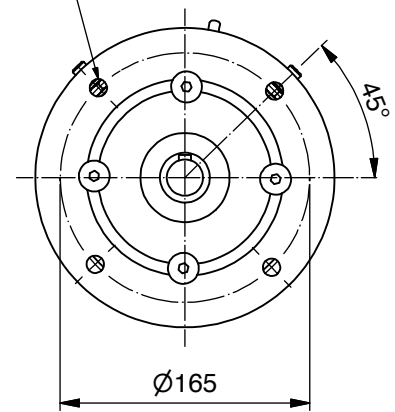


37

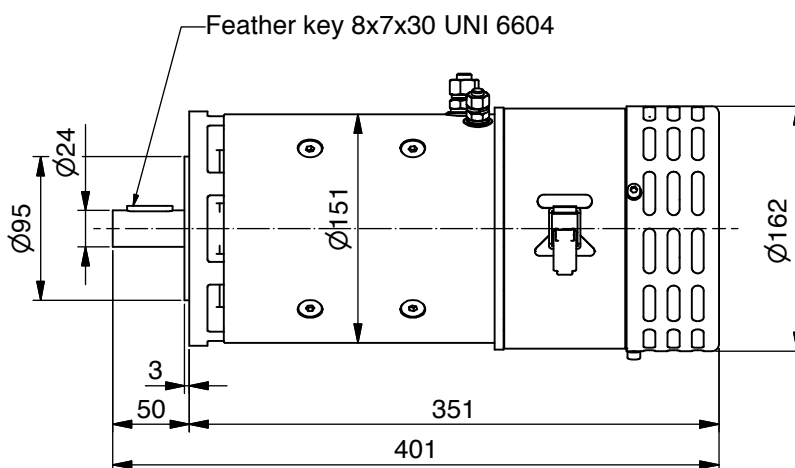


Feather key 8x7x30 UNI 6604

N⁴ Holes $\varnothing 11.5$ a 90°

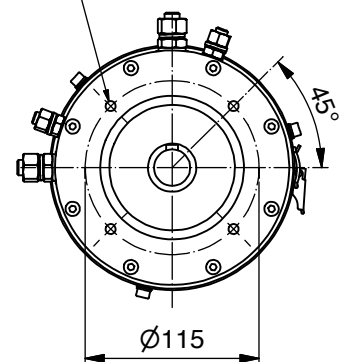


38

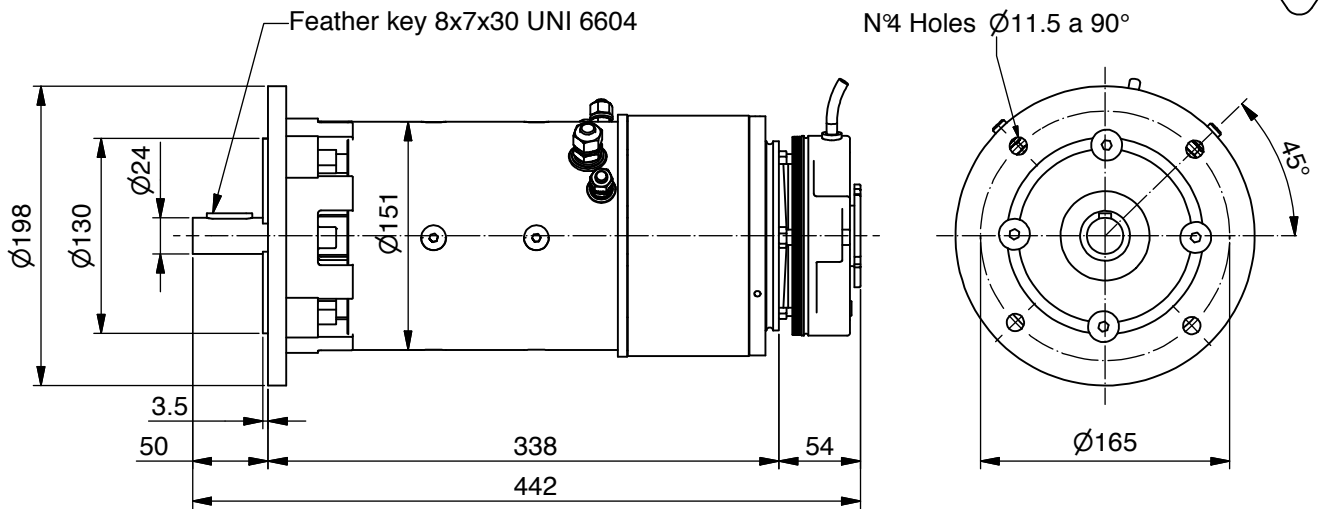


Feather key 8x7x30 UNI 6604

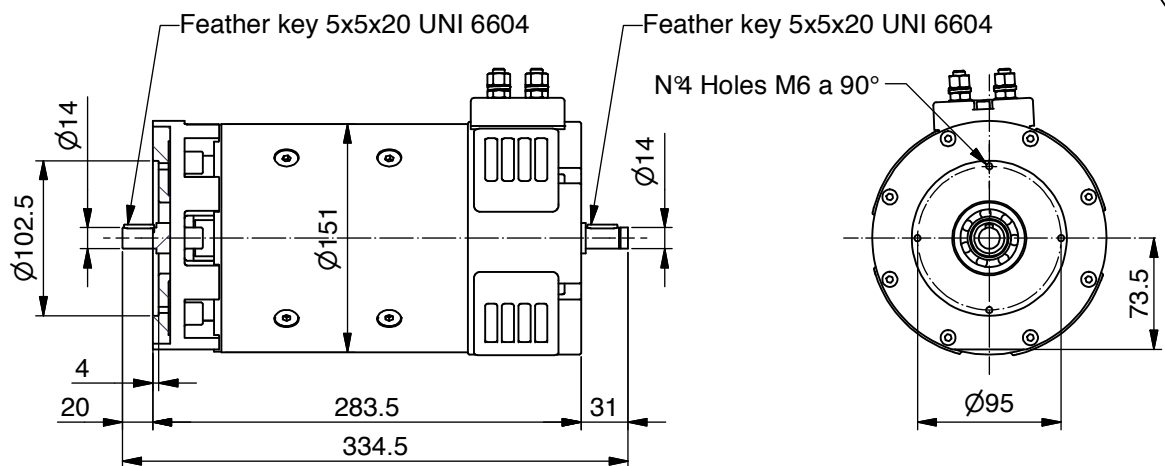
N⁴ Holes M8 a 90°



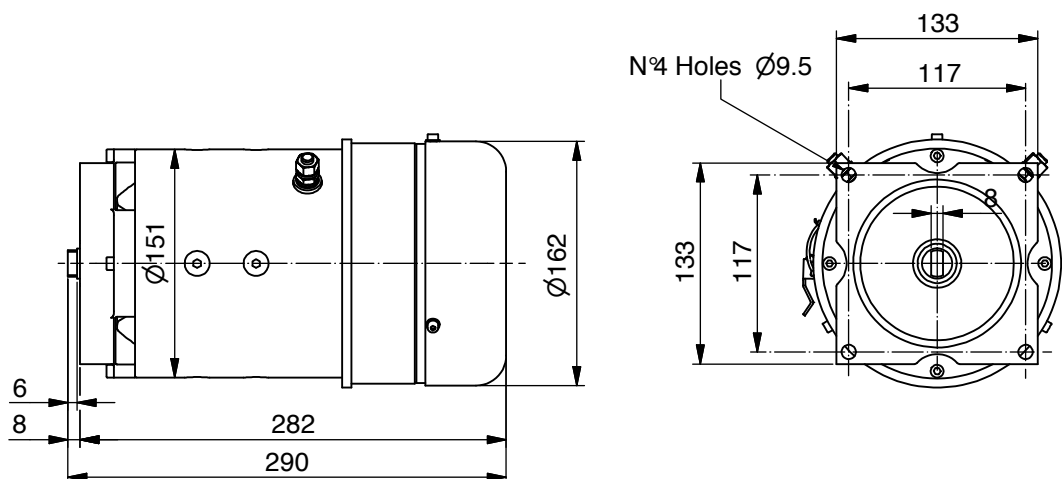
39



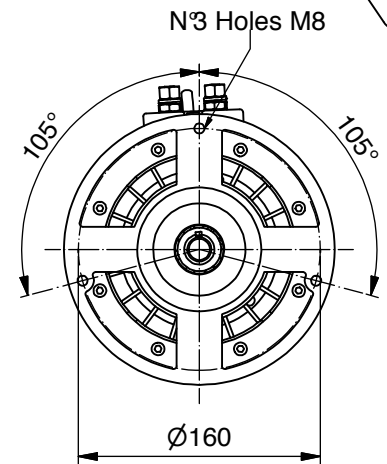
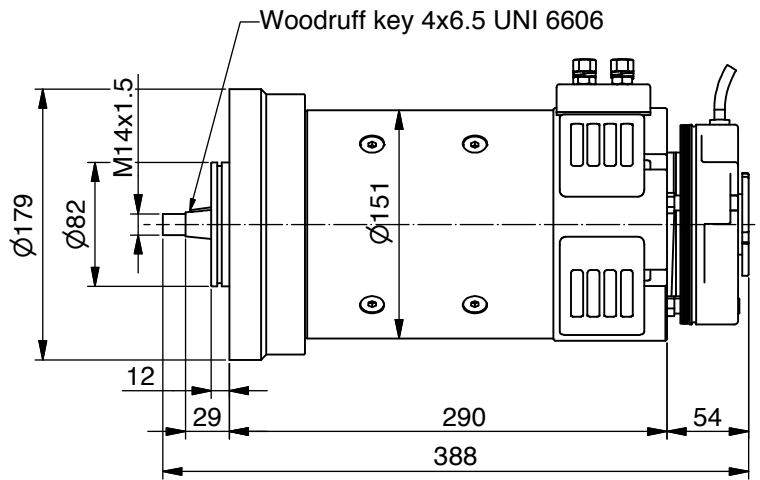
40



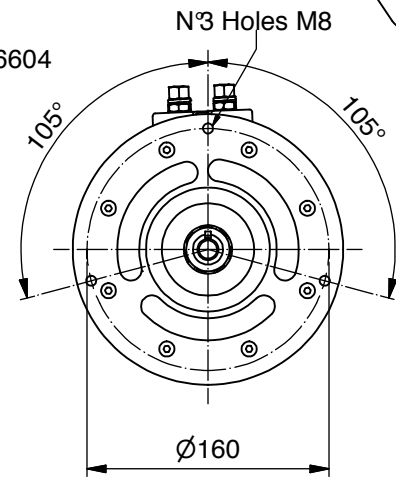
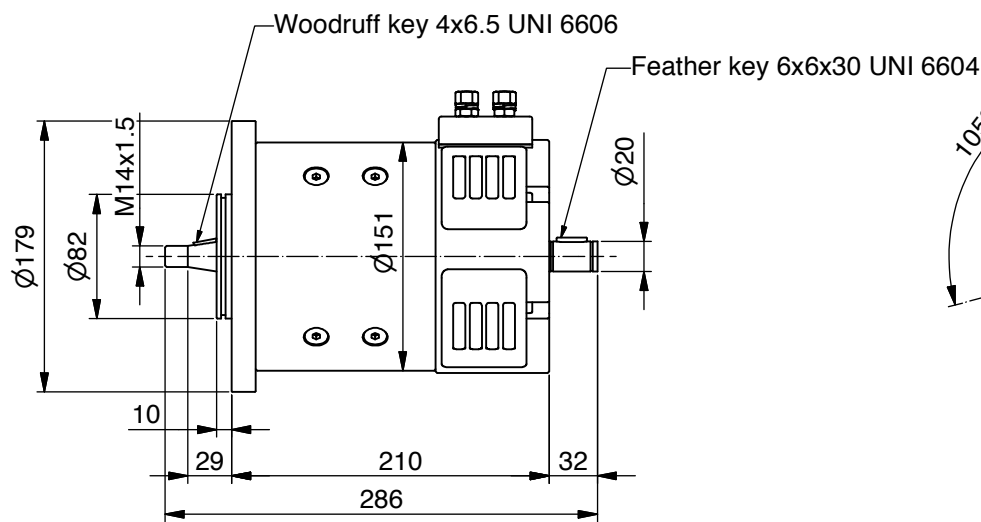
41



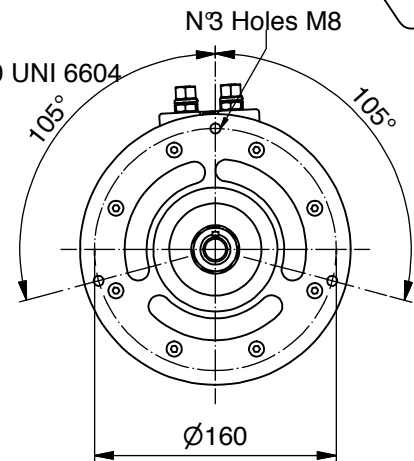
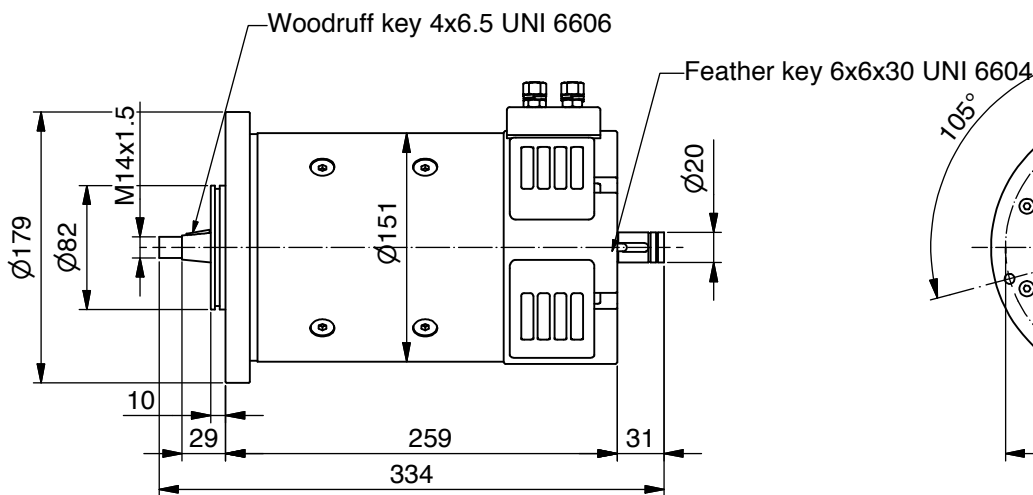
42



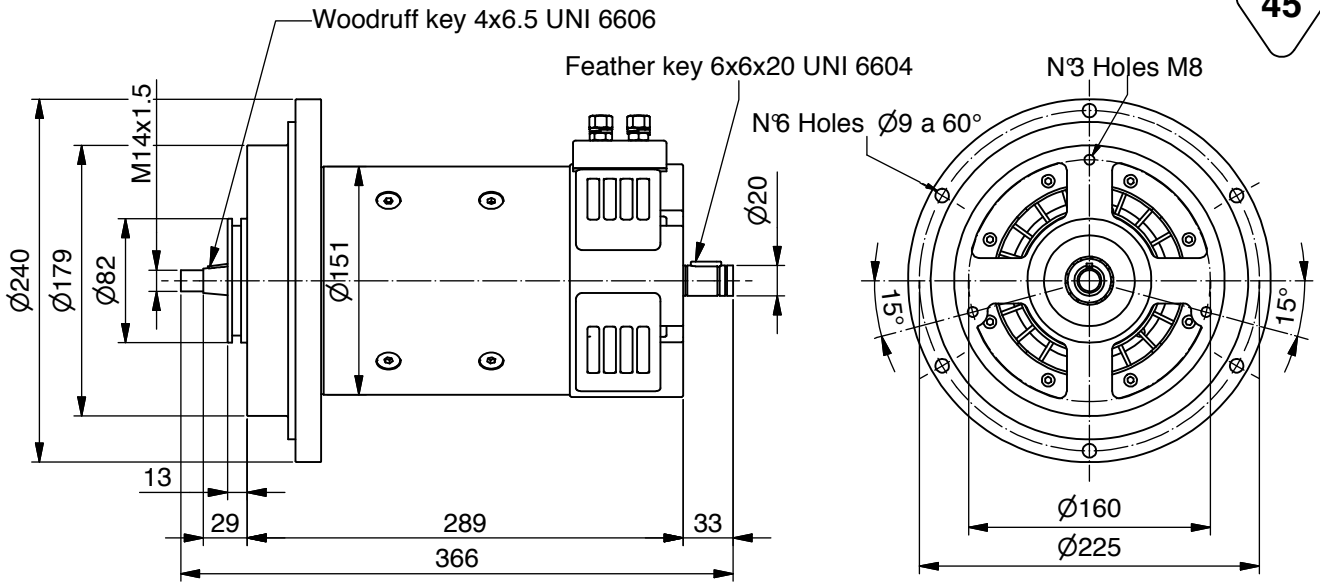
43



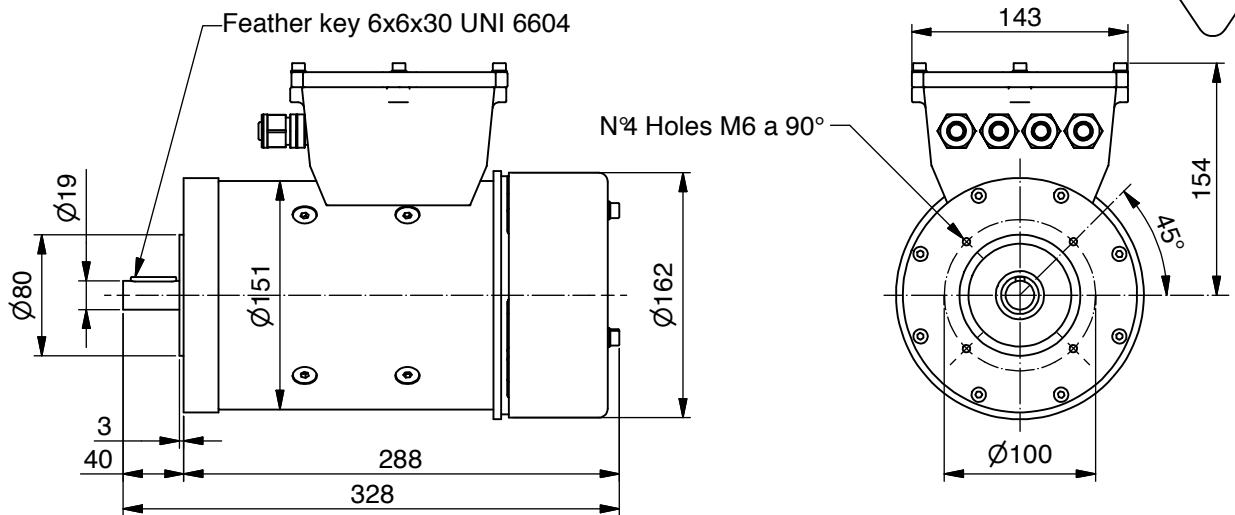
44



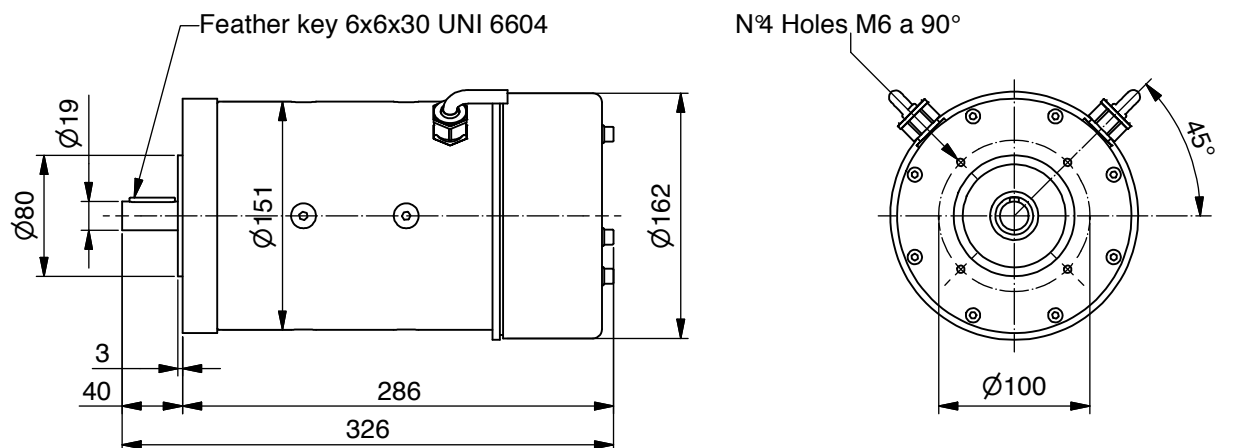
45

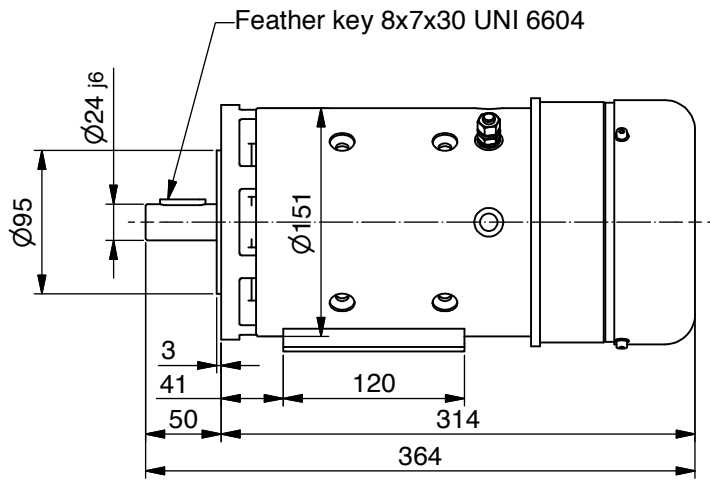


46



47





N⁴ Holes M8 a 90°

