

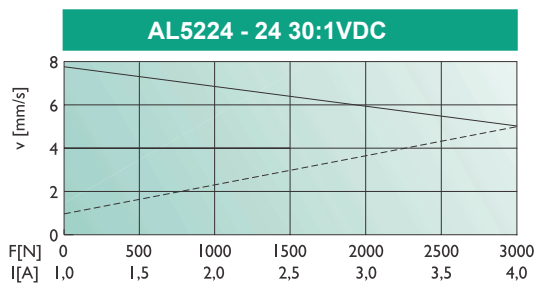
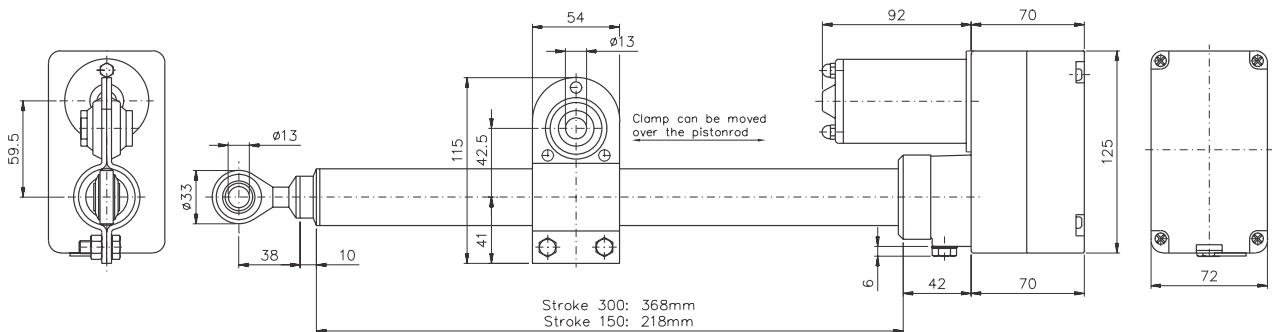
## AL5224 series 12/24 VDC-2000N

### Specifications

- Compact model
- Integral adjustable limit switches
- Low cost
- 100% self locking
- Acme screw
- Protection level IP44
- 24VDC
- 10 % Duty cycle

### Options

- Bellows
- Potentiometer 10 kOhm
- Reed switch
- Mounting bracket ELM51E
- Potentiometer (10K | ,10 turn)



Model	Force [N]	Speed* [mm/s]	Voltage [VDC]	Stroke [mm]	
AL5224-24-150	3000	6	24	150	●
AL5224-24-300	3000	6	24	300	●

\* Current at 24VDC.

\* speed at no load ● = stock