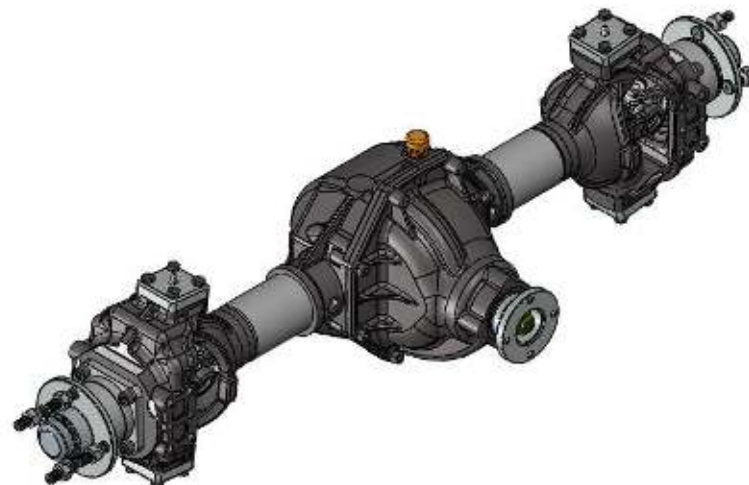


DETTAGLIO A
SCALA 1 : 3

M8 n4 a 90°



TECHNICAL DATA

Max allowable axle load	18000	N
Max wheel torque	1800	Nm
Max steering angle	-	
Axle ratio	1:4.375	
Gear box	1 st speed ratio	-
	2 nd speed ratio	-
Input max rpm	3200	rpm
Min track width	1000	mm
Max track width	1300	mm

OPTIONAL

See attachments