

MR260/350 - Motor D.191mm

PERFORMANCE FEATURES

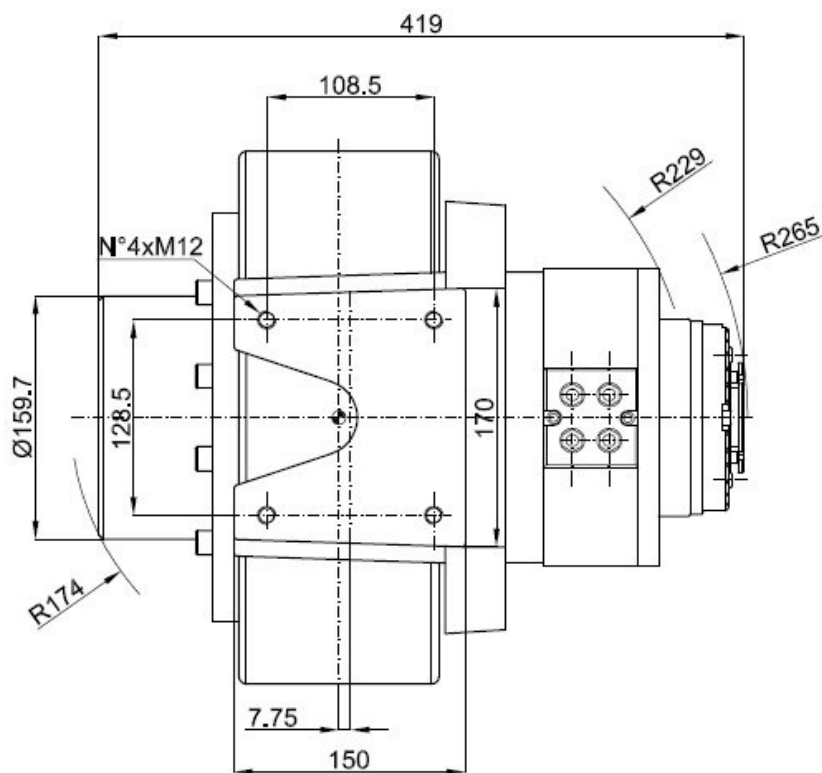
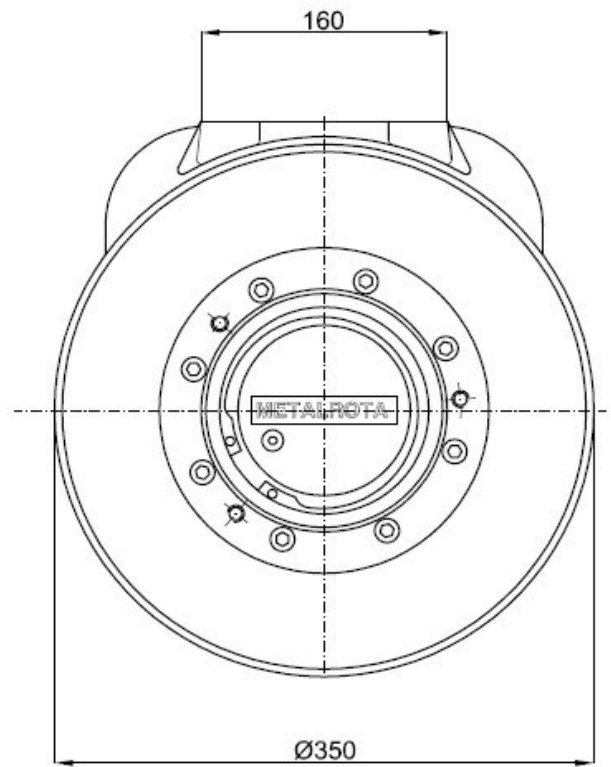
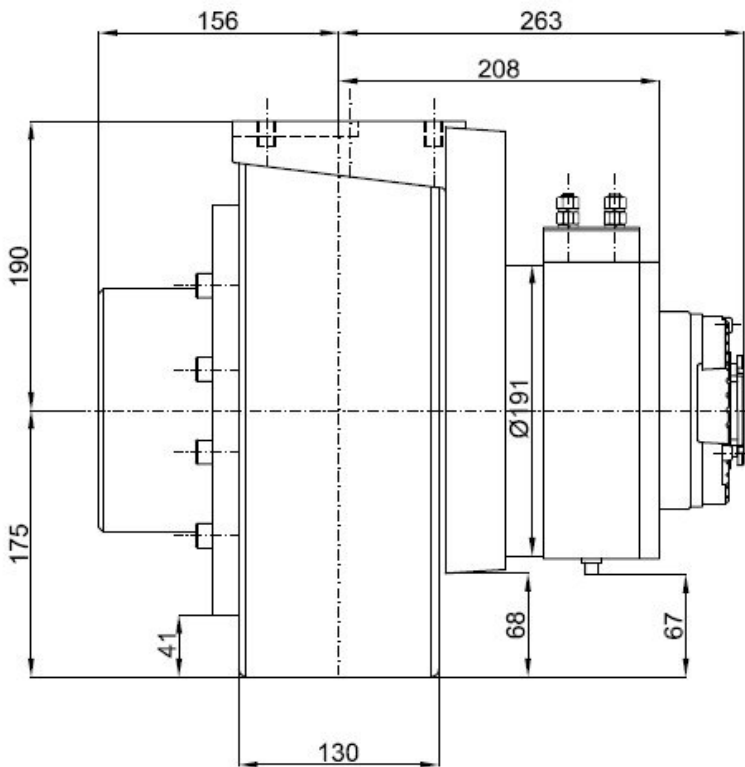
Motor examples (12-48V available)		3000W, 48V, 2000rpm, separately excited	3500W, 48V, 3000rpm, separately excited	3000W, 24V, 2000rpm, series wound 4 terminals
Drive wheel gear ratio	i	30	30	30
Max vehicle weight	kg	5500	5451	5500
Max wheel load	kg	2000	2000	2000
Wheel torque	Nm	430	334	430
Current adsorbed (S2)	A	80 (60 min)	90 (50 min)	160 (60 min)
Vehicle speed on flat	km/ h	4,4	6,6	4,4
e/m brake torque	Nm	40	40	40
Polyurethan 90SH tyre diameter	mm	350	350	350
Weight	kg	123	123	123

AVAILABLE ON REQUEST

- Polyurethan wheel 70SH (Max wheel load 1400kg)
- Other motor windings

NOTE: “Max vehicle weight”, “Wheel torque”, “Current adsorbed” and “Vehicle speed on flat” always refer to the labelled power of the motor.

To have detailed information please contact our technical department.



MR260/350FM

D.191mm