

MR270

PERFORMANCE FEATURES

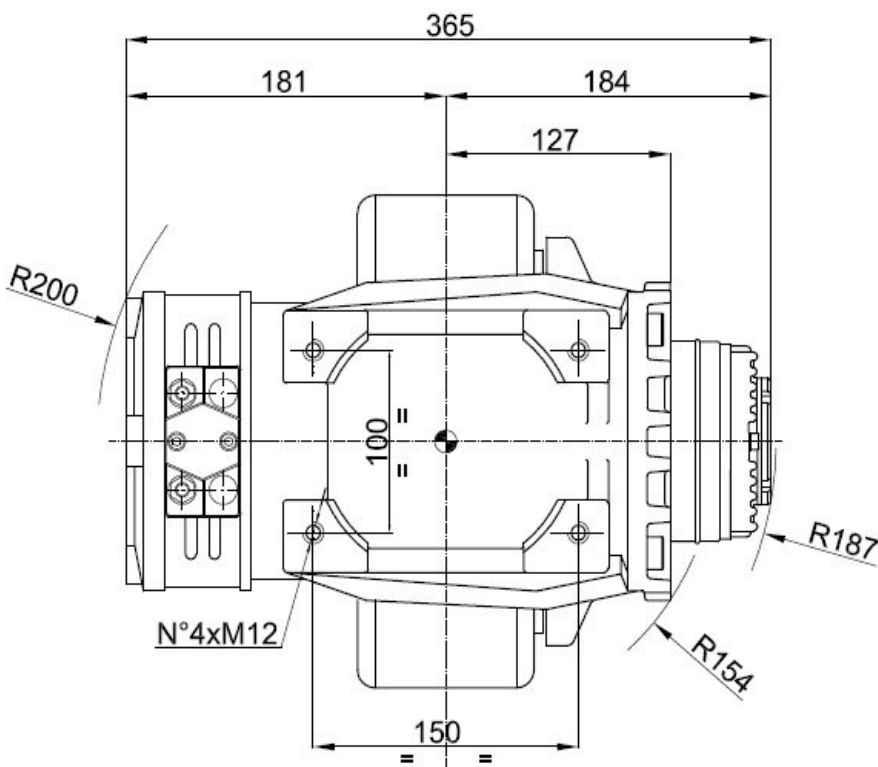
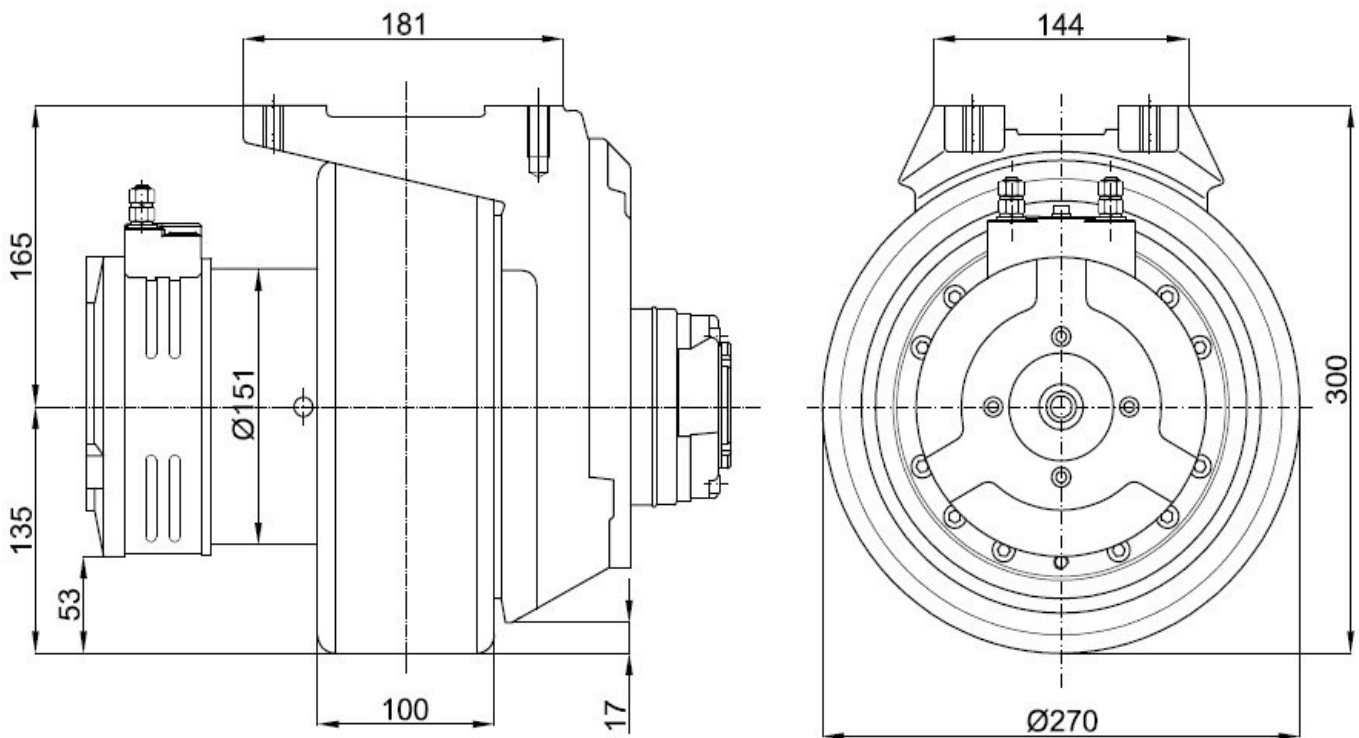
Motor examples (12-48V available)		1000W, 48V, 1800rpm,	1000W, 48V, 2500rpm,	1500W, 24V, 2000rpm,
		permanent magnets	permanent magnets	separately excited
Drive wheel gear ratio	i	34	34	34
Max vehicle weight	kg	3200	2746	3200
Max wheel load	kg	1300	1300	1300
Wheel torque	Nm	180	130	244
Current adsorbed (S2)	A	25 (60 min)	24 (60 min)	80 (45 min)
Vehicle speed on flat	km/ h	2,7	3,7	3
e/m brake torque	Nm	20	20	20
Polyurethan 90SH tyre diameter	mm	270	270	270
Weight	kg	50	50	50

AVAILABLE ON REQUEST

- Gear Ratio 22,89:1
- Other motor windings

NOTE: “Max vehicle weight”, “Wheel torque”, “Current adsorbed” and “Vehicle speed on flat” always refer to the labelled power of the motor.

To have detailed information please contact our technical department.



MR270FR