

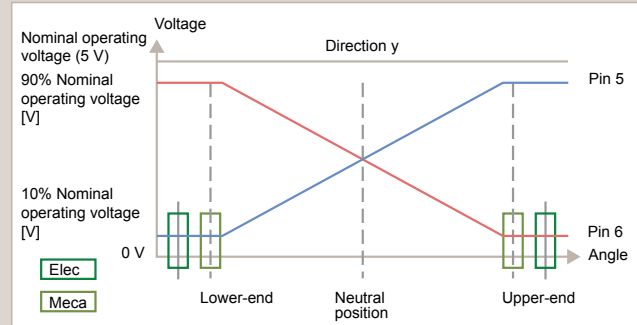
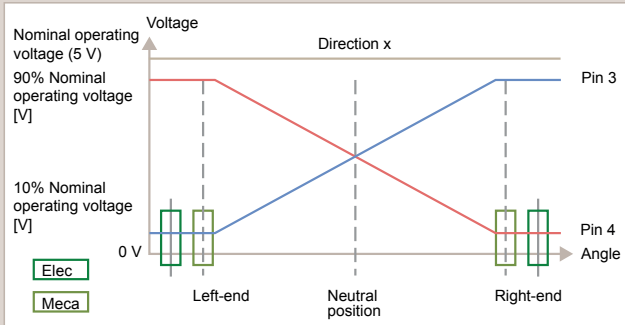


XENO THUMB JOYSTICK

Due to its compact and robust design, the XENO thumb joystick offers a wide range of installation options. Its modular design and sensitive control allow it to be used ergonomically with the fingertips. Further characteristics of the XENO thumb joystick are its intuitive use and its long service life. Besides being used in the BRAVA armrest, the thumb joystick is predestined for use in customer-specific applications.

- Contactless Hall-effect sensor technology
- Two axes
- Two analogue signals per axis, X characteristic
- Ergonomic design
- Protection class IP 68, except plug
- Long service life of 3.5 million cycles
- EMC in accordance with EN 12895
- Functional safety in accordance with EN ISO 13849, PL d

Transmission Protocol



Technical data	
Technology	Contactless hall sensor
Mechanical data	
Dimensions	See drawing
Mechanical angle of rotation	+20°
Electrical data	
Nominal operating voltage	5 V DC ± 0.02 V
Operating voltage range	4.5 – 5.5 V DC
Power current	< 25 mA
Analogue output ratiometric	X characteristic: 0.5 – 4.5 V DC
Operating conditions	
Operating temperature	-30°C to +65°C
Storage temperature	-40°C to +85°C
Maximum force	0.7 Nm
Actuation force	1.5 Nm
Service life	3,5 million cycles
Protection class	IP 68
EMC	36 V/M after EN 12896: 2015-09

Connector pin assignment Molex Mini-Fit Jr.™ 6 pin, dual row 5557-06R (-210)	
PIN 1	+ 5 V
PIN 2	GND
PIN 3	Signal 1 – 1
PIN 4	Signal 1 – 2
PIN 5	Signal 2 – 1
PIN 6	Signal 2 – 2

Order data	
Part No.	Designation
3111-00003-00	XENO Thumb joystick round

Dimensions [mm]

