

## WR151

### PERFORMANCE FEATURES

<b>Motor examples</b> (12-48V available)		<b>2000W, 24V, 2000rpm,</b>  series wound 4 terminals	<b>2500W, 24V, 3800rpm,</b>  separately excited	<b>2000W, 48V, 2000rpm,</b>  series wound 4 terminals
Drive wheel gear ratio	i	25	25	25
Max vehicle weight	kg	4000	3448	4000
Max wheel load	kg	1800	1800	1800
Wheel torque	Nm	239	157	239
Current adsorbed (S2)	A	105 (60 min)	135 (45 min)	55 (60 min)
Vehicle speed on flat	km/h	3,9	7,4	3,9
e/m brake torque	Nm	20	20	20
Vulkollan tyre diameter	mm	260	260	260
Weight	kg	75	75	75

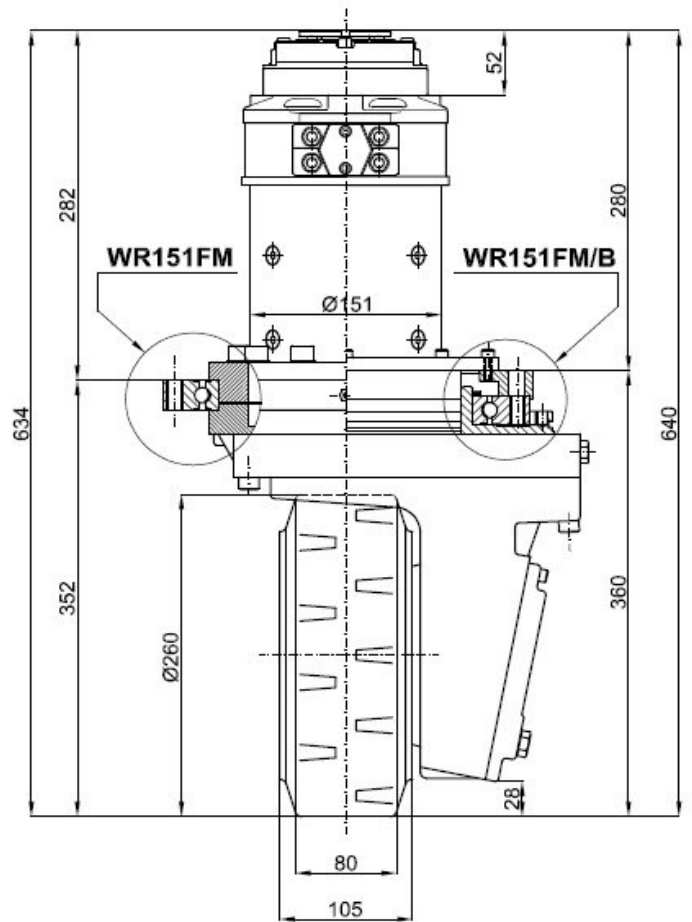
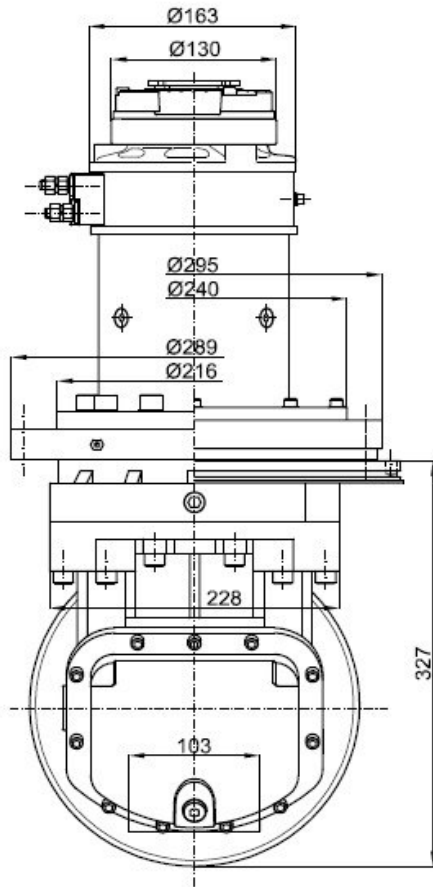
#### AVAILABLE ON REQUEST

- Gear Ratio 21:1, 18:1, 14:1, 9:1
- Rubber wheel (Max wheel load 850kg)
- Other motor windings

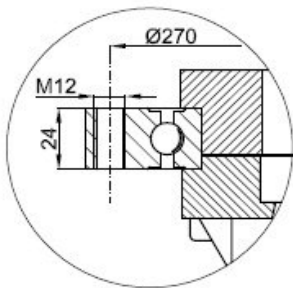
#### NOTE:

- 1) Version "WR151FM" with pivoting motor, Version "WR151FM/B" with fixed motor.
- 2) "Max vehicle weight", "Wheel torque", "Current adsorbed" and "Vehicle speed on flat" always refer to the labelled power of the motor.

To have detailed information please contact our technical department.

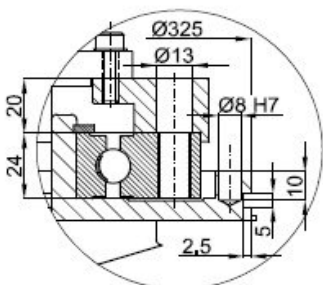


## WR151FM



- Motore solidale al riduttore
- D.C. motor integral with the gear box

## WR151FM/B



- Motore solidale alla ralla di rotazione
- D.C. motor integral with the slewing bearing

