

WR151ECO
PERFORMANCE FEATURES

Motor examples (12-48V available)		2000W, 24V, 2000rpm, series wound 4 terminals	2500W, 24V, 3800rpm, separately excited	2000W, 48V, 2000rpm, series wound 4 terminals
Drive wheel gear ratio	i	20	20	20
Max vehicle weight	kg	3500	3119	3500
Max wheel load	kg	1400	1400	1400
Wheel torque	Nm	191	126	191
Current adsorbed (S2)	A	105 (60 min)	135 (45 min)	55 (60 min)
Vehicle speed on flat	km/h	4,3	8,2	4,3
e/m brake torque	Nm	20	20	20
Polyurethan 90SH tyre diameter	mm	230	230	230
Weight	kg	61	61	61

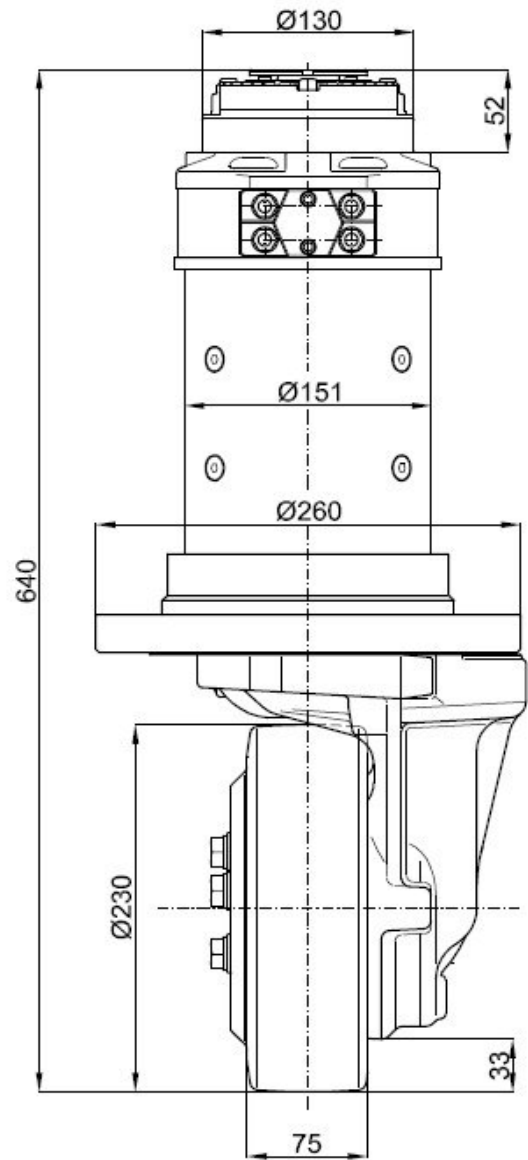
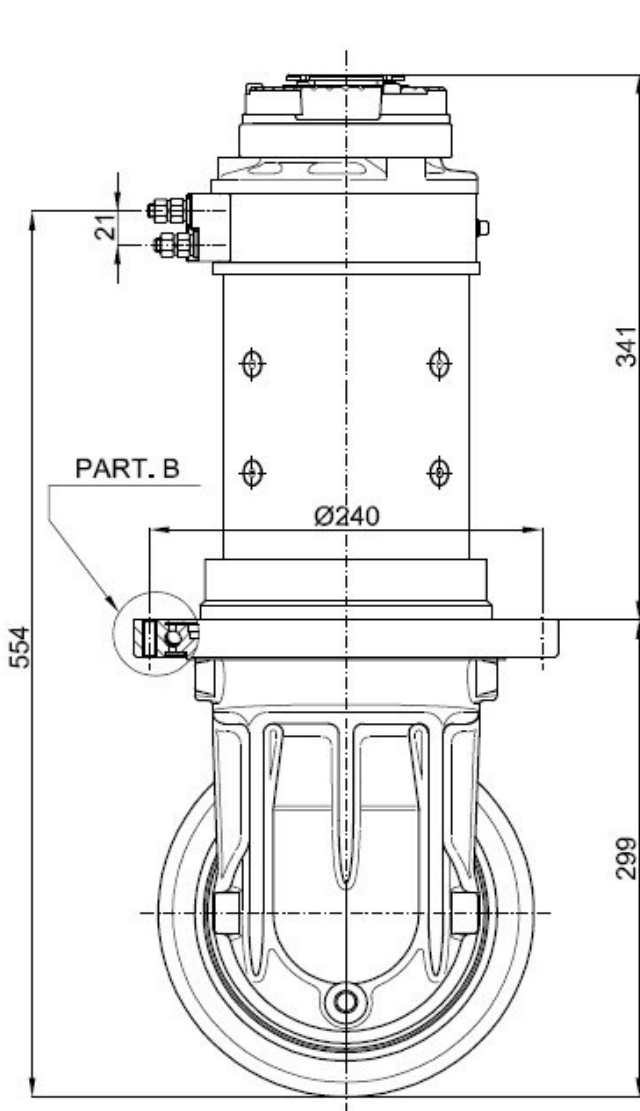
AVAILABLE ON REQUEST

- Rubber wheel (Max wheel load 430kg)
- Other motor windings

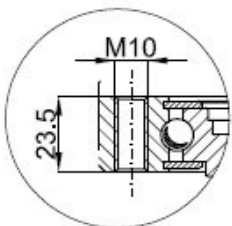
NOTE: “Max vehicle weight”, “Wheel torque”, “Current adsorbed” and “Vehicle speed on flat” always refer to the labelled power of the motor.

To have detailed information please contact our technical department.

WR151ECO FM



PART. B



- Motore solldale al riduttore

- D.C. motor integral with the gear box

