



CURTIS



Separately Excited Electronic Motor Speed Controller

Model 1266 A/R SepEx[®]



CE 



Model 1266 A/R SepEx®



Separately Excited Electronic Motor Speed Controller

Curtis Model 1266 A/R SepEx® controllers are programmable and microprocessor based, with an advanced MOSFET power section for smooth and seamless control of separately excited motors.

Curtis 1266 A/R SepEx® controllers are designed for use in golf, utility, or light on-road vehicles.

FEATURES

Smooth and Secure Control

- ▶ Power MOSFET technology provides smooth, silent, efficient, and cost-effective operation.
- ▶ Adjustable parameters enable custom optimization of speed, torque, and braking control.
- ▶ Half bridge armature and full bridge field provides regenerative braking down to near zero speed.
- ▶ Rugged package rated at IP5X.
- ▶ Overspeed braking (regenerative) limits speed while driving downhill.
- ▶ WalkAway™ braking feature limits any stopped or key-off rolling to very low speed (1266A models only). 1266R models do not offer walkaway feature.
- ▶ System uses Hall effect speed sensor on motor or drive train to control vehicle speed.
- ▶ Tow switch enables free rolling for towing of vehicle.
- ▶ Anti-rollback function provides improved control when throttle is released on hills.
- ▶ Anti-stall function helps prevent motor commutator damage.
- ▶ Controller drives warning buzzer—steady in reverse; intermittent during WalkAway™ braking.
- ▶ MultiMode™ input provides for two speed and power modes of operation.
- ▶ Timed shutdown of main contactor after pedal is released and vehicle has stopped.
- ▶ Current Boost provides extra power.
- ▶ Fully compatible with Curtis 1311, 1313 and 1314 Programmers for parametric adjustment, tuning, test, and diagnostics.
- ▶ Extensive fault detection and diagnostic reporting using a Curtis Programmer including (partial list):
 - Main contactor weld check and driver check
 - Throttle and wiring faults
 - Open or shorted motor field winding
 - Open motor armature winding
 - Over-temperature
 - Missing or failed speed sensor
 - Armature drive failure
- ▶ Extensive system monitor capabilities using a Curtis Programmer, including (partial list):
 - Battery voltage
 - Throttle input
 - Direction and throttle switch operation
 - Motor field and armature currents
 - Controller heatsink temperature.

See a 360° view of Model 1266 A/R SepEx® at:
curtisinstruments.com/360view



Model 1266 A/R SepEx®



Separately Excited Electronic Motor Speed Controller

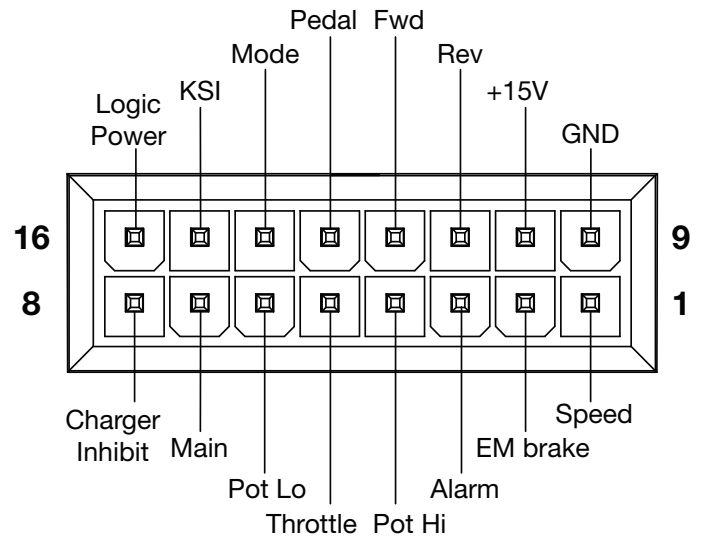
OPTIONS

- ▶ E/M brake.
- ▶ 5K 3-wire or 0–5V.

Meets or complies with relevant US and International Regulations

- ▶ Manufactured under ISO 9001 certified Quality Management System.
- ▶ UL Recognized Component Status.

PIN CHART



MODEL CHART

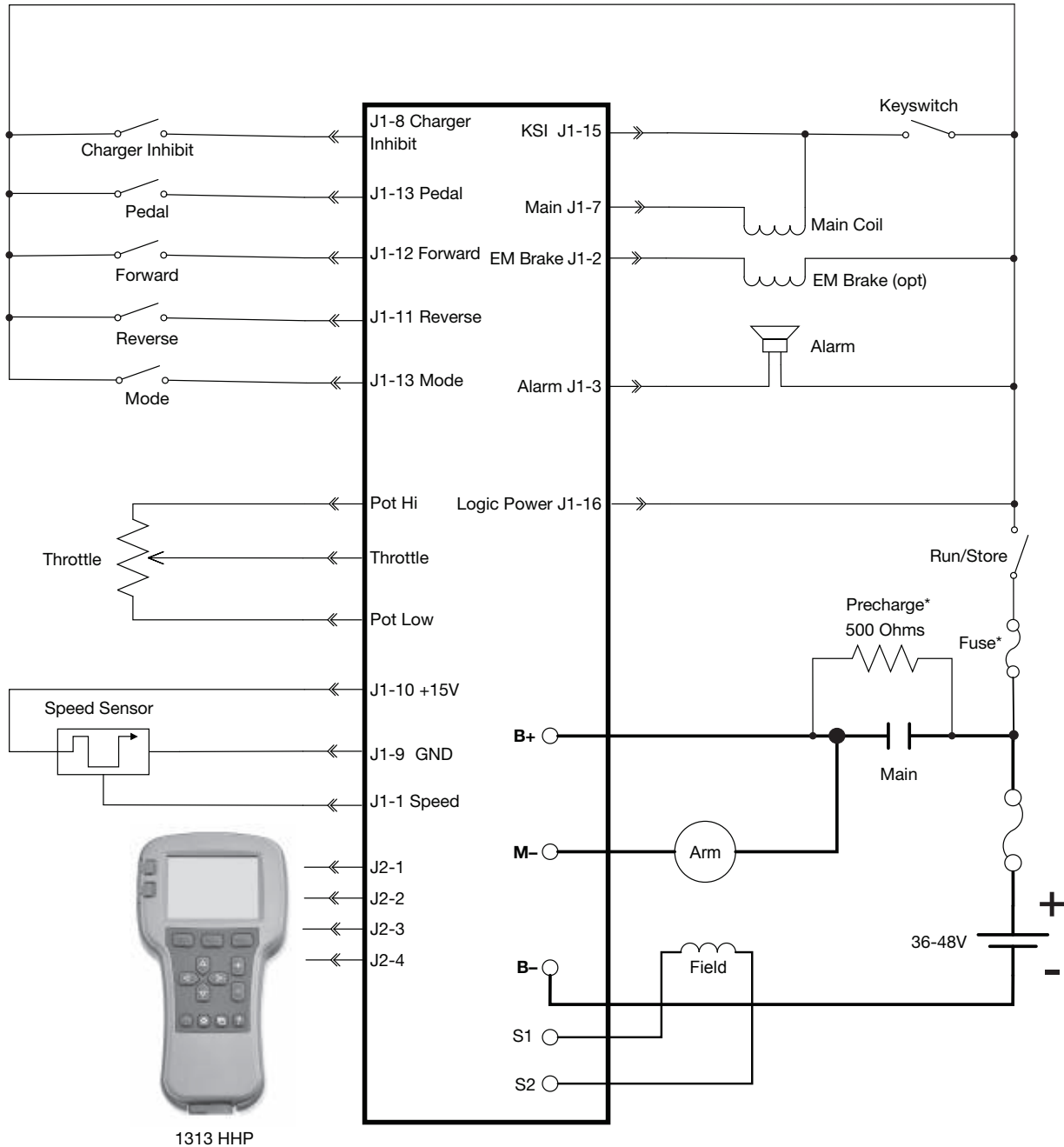
Curtis Model	Voltage (V)	Armature Rating (AMP) 2 minutes	Field Rating (AMP) 2 minutes
1266A-52xx	36–48	275	25
1266A-53xx	36–48	350	30
1266R-52xx	36–48	275	25
1266R-53xx	36–48	350	30

Model 1266 A/R SepEx[®]

Separately Excited Electronic Motor Speed Controller



TYPICAL WIRING DIAGRAM 36-48V



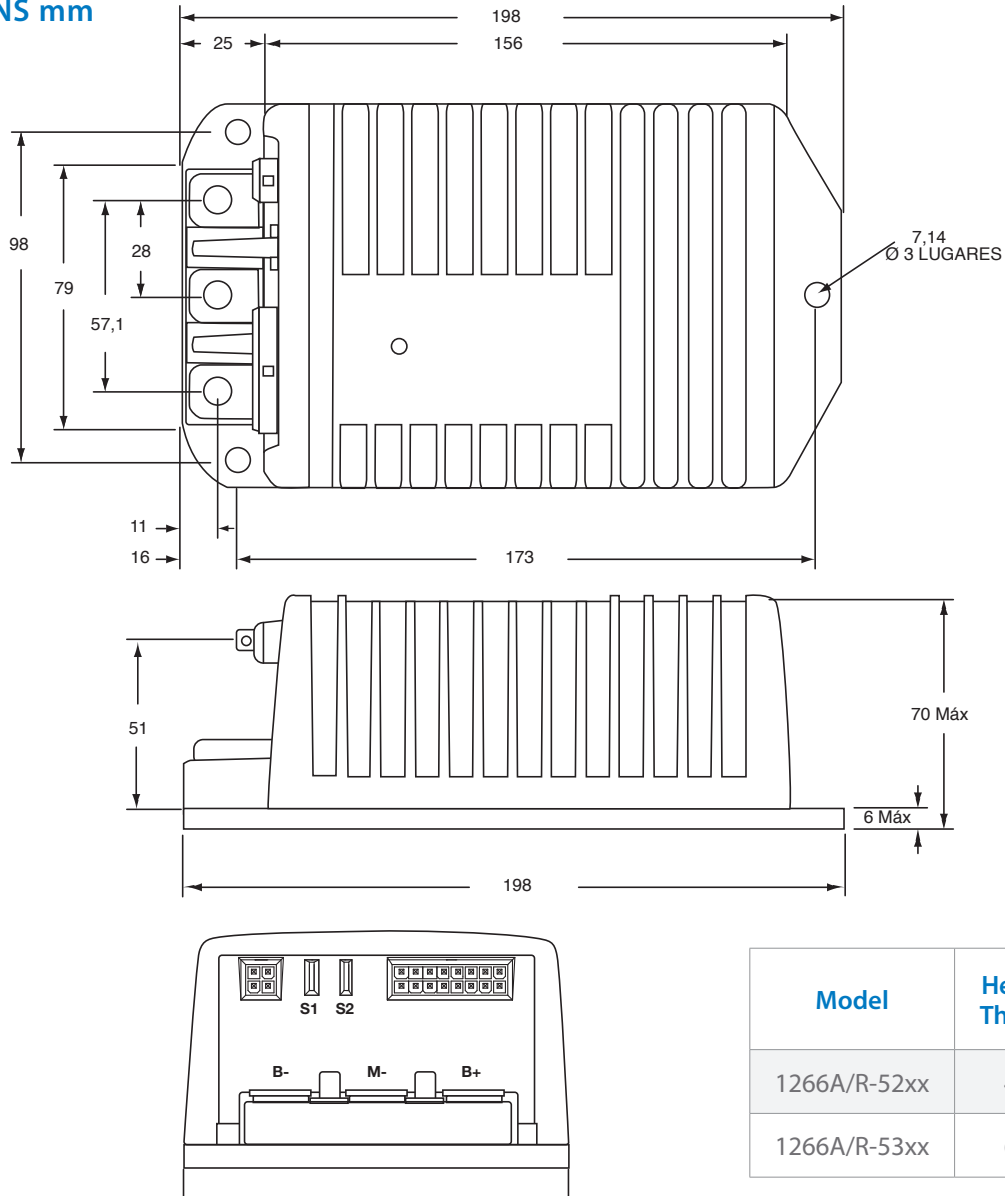
- NOTES:**
- Resistor wattage should be selected to accept the maximum system voltage.
 - Fuse rating should be 30A for 1266A and 10A for 1266R.

Model 1266 A/R SepEx®

Separately Excited Electronic Motor Speed Controller



DIMENSIONS mm



Model	Heat Sink Thickness	Overall Height
1266A/R-52xx	4 mm	68 mm
1266A/R-53xx	6 mm	70 mm

WARRANTY Two year limited warranty from time of delivery.

The Curtis Difference 
You feel it when you drive it



is a trademark of Curtis Instruments, Inc.

Specifications subject to change without notice

©2016 Curtis Instruments, Inc.

50145 REV G 6/16