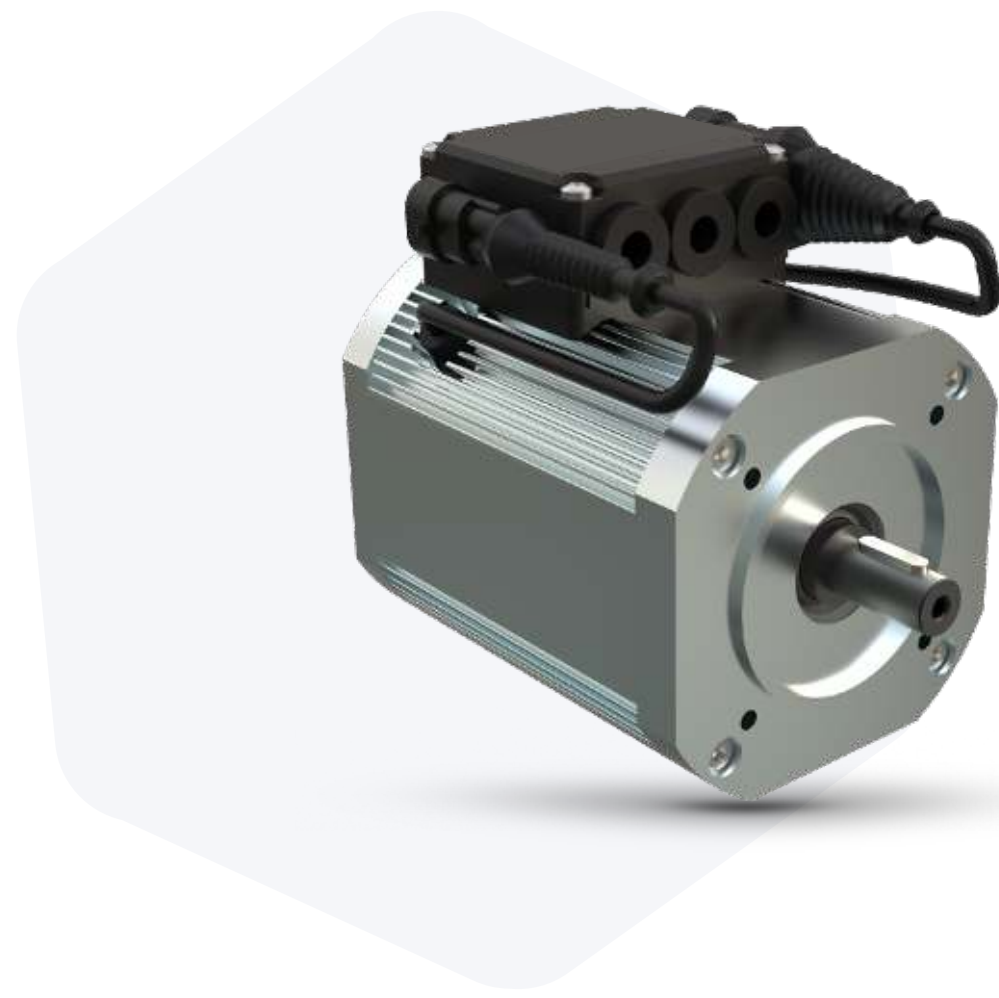
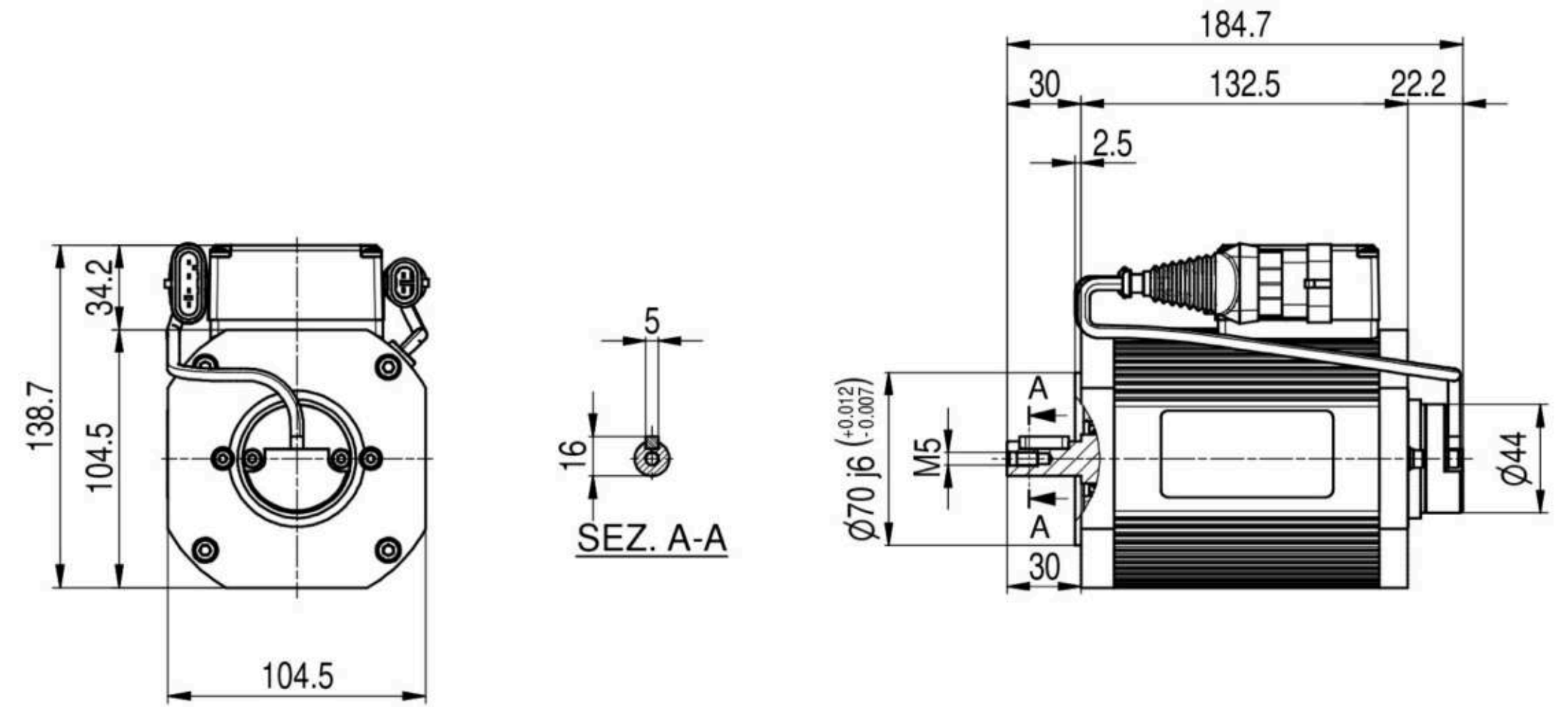


PMAC096-050



STANDARD LAYOUT



TECHNICAL DATA

Motor		Battery DC Voltage [V]	Rated Power [kW]	Instant Power [kW]	Rated Torque [Nm]	Instant Torque [Nm]	Rated Current [Arms]	Peak Current [Arms]	Rated Speed min <sup>-1</sup>
1	PMAC 096-050-18	24	1,0	3,2	2,1	6,0	40	120	5.000
2	PMAC 096-050-38	48	1,0	3,0	2,1	6,0	20	60	5.000

PMAC077 SERIE

PMAC096 SERIE

PMAC132 SERIE

PMAC200 SERIE