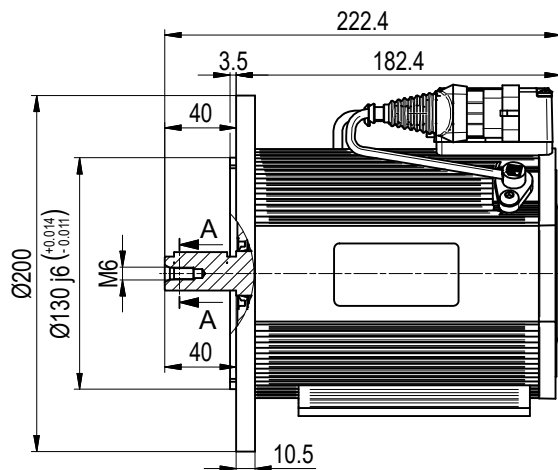
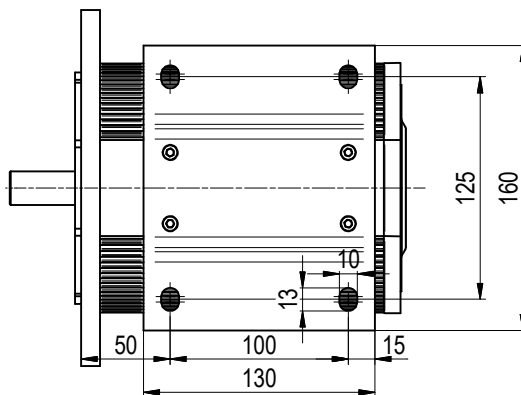
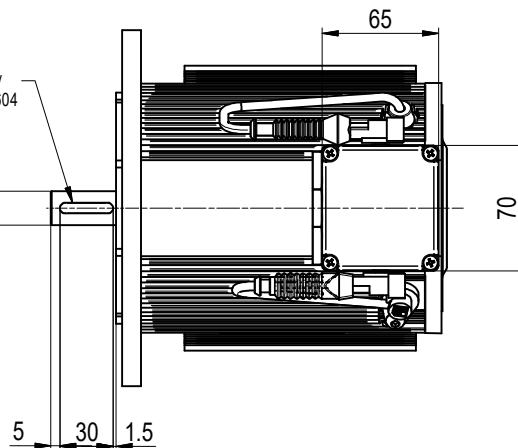


SEZ. A-A

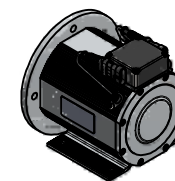
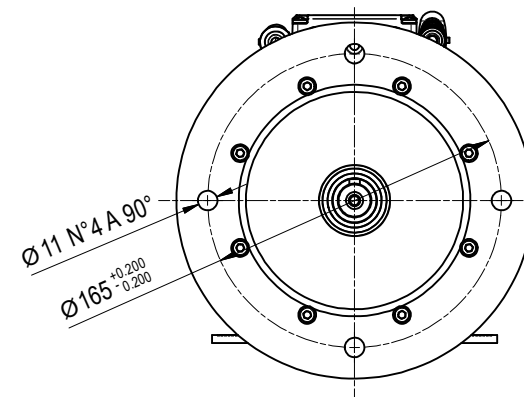


Linguetta / Key
6x6x30 UNI 6604

Ø 19 j6
(+0.008 / -0.004)



B5-80 B3



Scala 1:8

MOTOR		
POWER	W	
BATTERY VOLTAGE	V	
VOLTAGE ON PHASE	V	
RATED SPEED	Rpm	
MAX SPEED	Rpm	
MAX TORQUE	Nm	
RATED CURRENT	A	
RATED FREQUENCY	Hz	
DUTY	S2	
PROTECTION	IP	
INSULATION	INS	
PULSE REVOLUTION	N°	
EM BRAKE	Nm - V	
WEIGHT	kg	