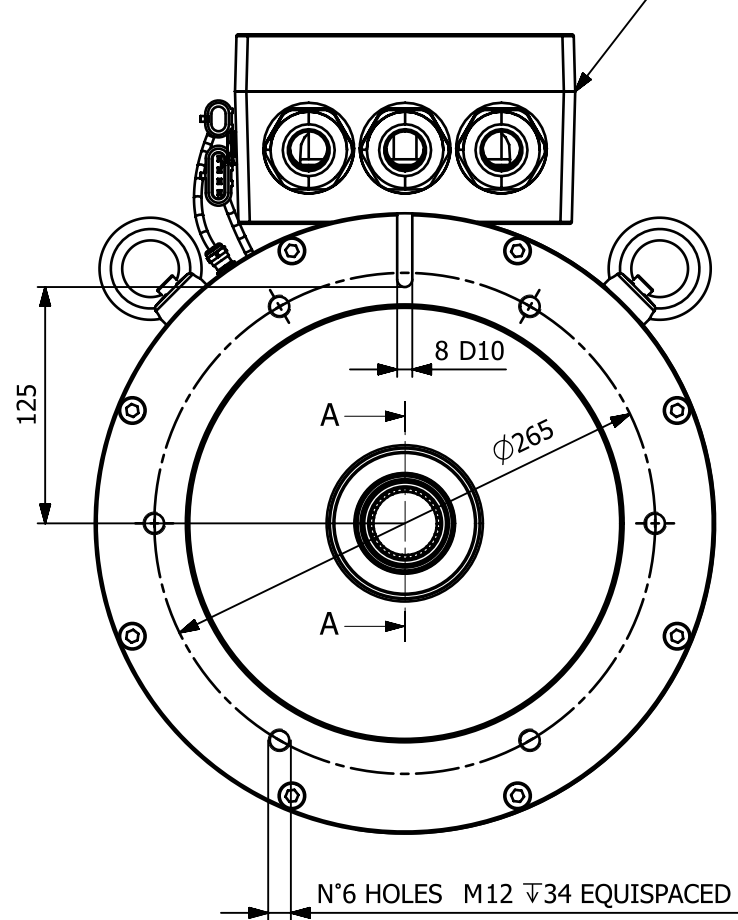


TERMINAL BOARD'S NUTS  
RECOMMENDED TIGHTENING  
TORQUE 40 Nm

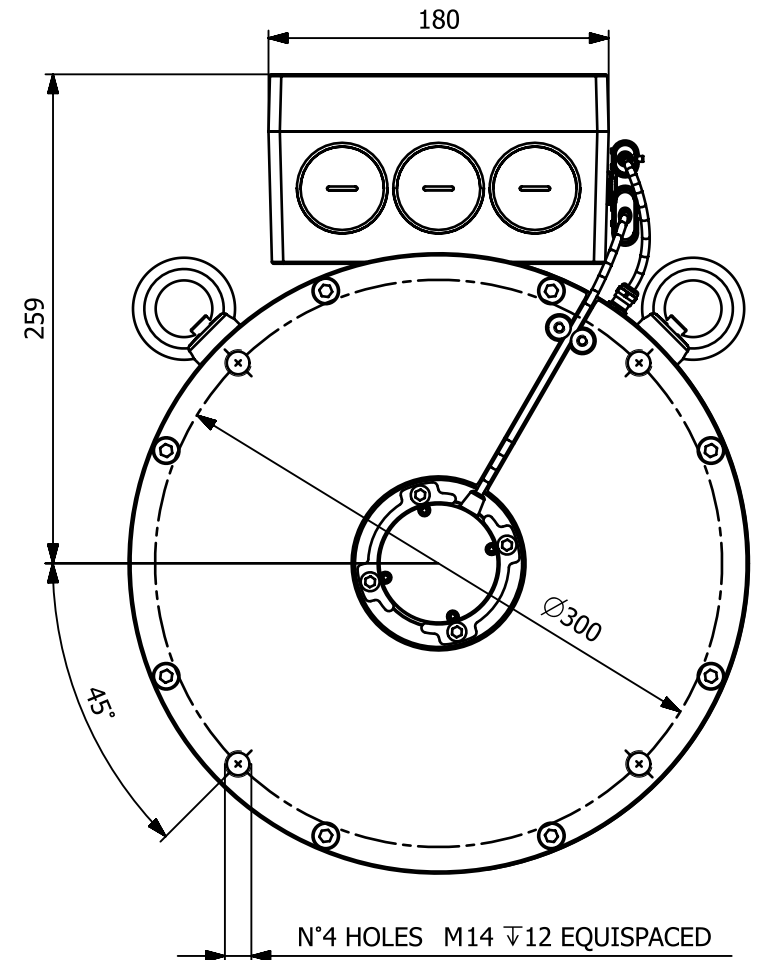
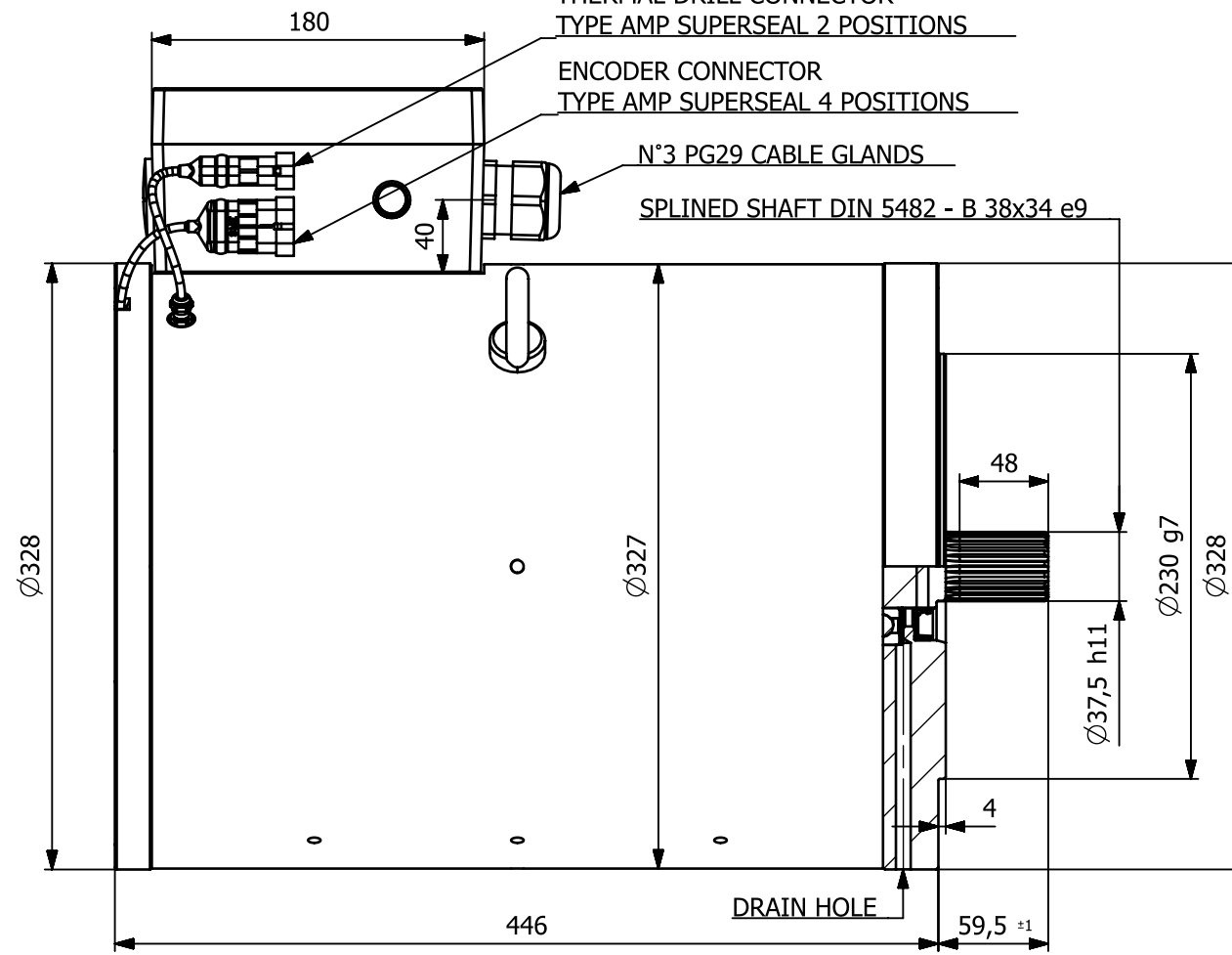


THERMAL DRILL CONNECTOR  
TYPE AMP SUPERSEAL 2 POSITIONS

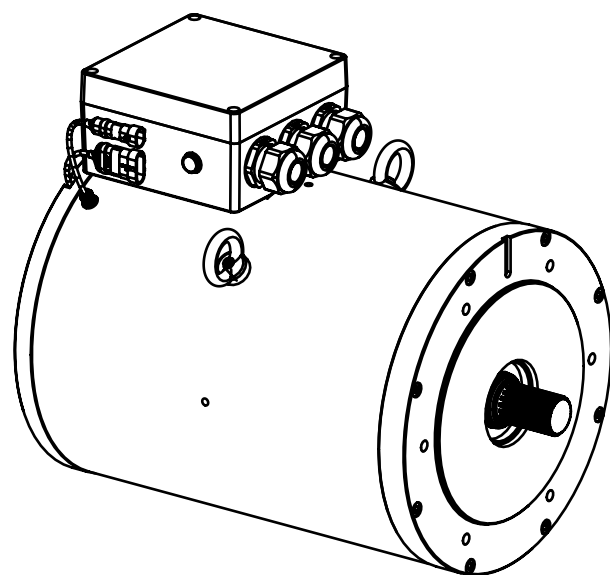
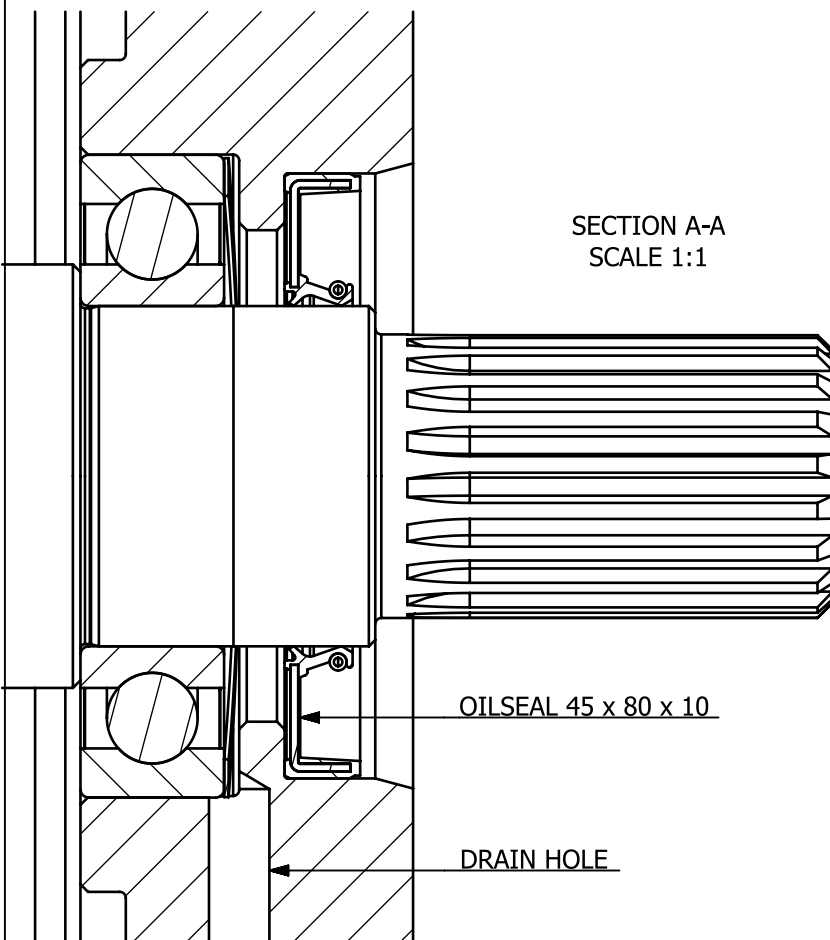
ENCODER CONNECTOR  
TYPE AMP SUPERSEAL 4 POSITIONS

N°3 PG29 CABLE GLANDS

SPLINED SHAFT DIN 5482 - B 38x34 e9



SECTION A-A  
SCALE 1:1



POSITION SENSOR	
PIN 1	VCC
PIN 2	SINE
PIN 3	COSINE
PIN 4	GND

RATING DATA ACCORDING TO EN 1175-1 APPENDIX B	
POWER	40 kW
VOLTAGE	80 V
CURRENT	318 A
RATED SPEED	1500 RPM
MAXIMUM SPEED	6000 RPM
FREQUENCY	75 Hz
Cos φ	0,96
SERVICE	S2 60'
INSULATION CLASS	H
PROTECTION DEGREE	IP 54
WEIGHT	182 Kg

Rev.	Modification										Date	Signature						
	Scale:	MEDIUM LIMIT OF ACCURACY	UP TO 6	BESIDES UP TO 6	BESIDES UP TO 30	BESIDES UP TO 120	BESIDES UP TO 315	BESIDES UP TO 1000	BESIDES UP TO 2000	BESIDES UP TO 4000	UP TO 10'	REFERENCE MINOR ANGLE SIDE	BESIDES UP TO 10'	BESIDES UP TO 50'	BESIDES UP TO 120'	BESIDES UP TO 400'	DRAWN WITH	THIS DRAWING IS OUR EXCLUSIVE PROPERTY. IT CAN NOT BE COPIED, REPRODUCED, TRANSMITTED TO OTHER PEOPLE OR USED IN ANY WAY WITHOUT OUR CONSENT. ANY INFRINGEMENT WILL BE LEGALLY PURSUED.
	1:4	DEVIATION	±0,1	±0,2	±0,3	±0,5	±0,8	±1,2	±2	±1*	±0° 30'	±0° 20'	±0° 10'	HANDLING ON CAD SYSTEM ONLY				
		TOLERANCE	0,2	0,4	0,6	1	1,8	2,4	4	2*	1°	0° 40'	0° 20'					
		Product Code	B00MT1963B00										Product Description	IPM000240-81T120/54 CC0006				
		Drawn	Tonin										Drawing Code	MT 1963B				
		Approved	Tonin															
Date		09/10/19										Sheet	1 of 2					