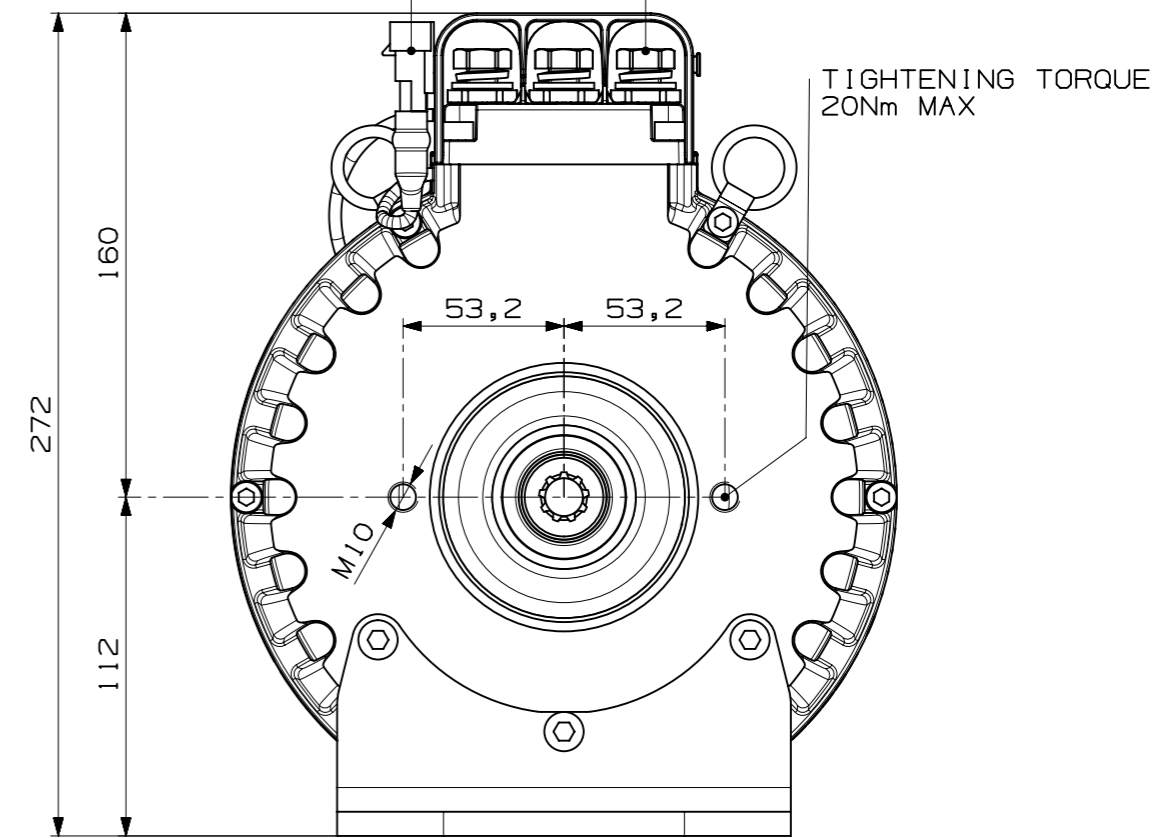


TIGHTENING TORQUE 15Nm MAX

TIGHTENING TORQUE 20Nm MAX

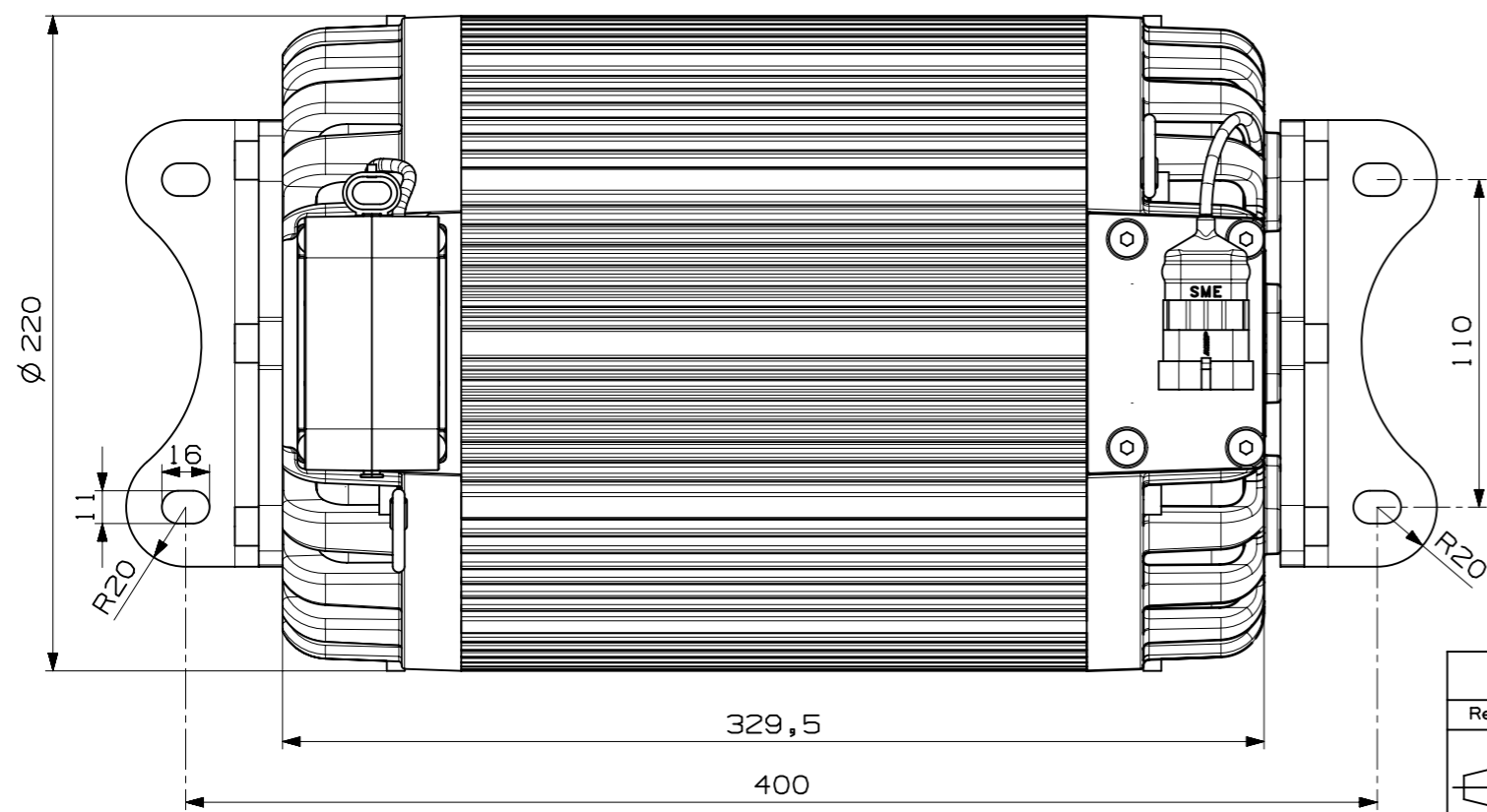


RATING DATA ACCORDING TO EN 1175-1 APPENDIX B	
POWER	25 KW
VOLTAGE	65 V
CURRENT	285 A
RATED SPEED	2750 RPM
MAXIMUM SPEED	6000 RPM
FREQUENCY	91,7 Hz
Cos ϕ	0,83
SERVICE	S3 15%
INSULATION CLASS	F
PROTECTION DEGREE	IP 54
WEIGHT	51,2 Kg

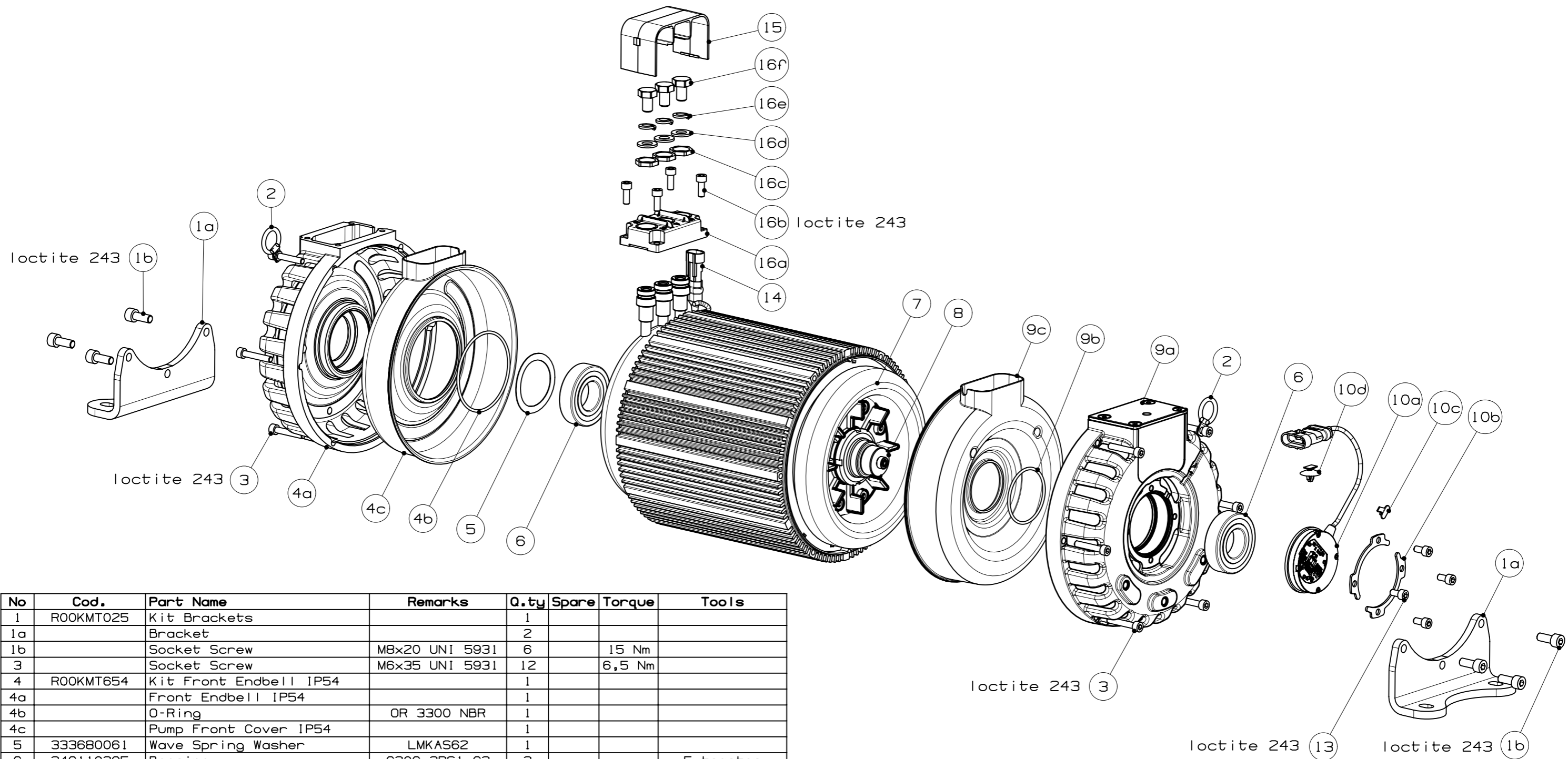
FLAT ROOT SIDE FIT STANDARD : ANSI B92.1 TOLERANCE CLASS 5	
NUMBER OF TEETH	9
PRESSURE ANGLE	30°
NOR DIAMETRAL PITCH	16/32
PITCH DIAMETER	14.287
BASE DIAMETER	12.373
FORM DIAMETER	15.977
MAJOR DIAMETER	16.535
MINOR DIAMETER	12.903
MIN EFF CIRCULAR TOOTH	2.494
MAX ACTUAL CIRCULAR TOOTH	2.560
MAX MEAS BETWEEN PIN	10.046
MEAS PIN DIA	2.743

COMPONENT	CODE
ROTOR	MT2024B
STATOR	MT2026B
WINDING	MT2027B
FRONT COVER	MT654B
REAR COVER	MT615B

POSITION SENSOR	
PIN 1	VCC
PIN 2	SINE
PIN 3	COSINE
PIN 4	GND



Rev.	Modification										Date	Signature					
	Scale:	MEDIUM LIMIT OF ACCURACY	UP TO 6	BESIDES UP TO 6	BESIDES UP TO 30	BESIDES UP TO 120	BESIDES UP TO 315	BESIDES UP TO 1000	BESIDES UP TO 2000	BESIDES UP TO 4000	UP TO 10'	REFERENCE MINOR ANGLE SIDE	 DRAWN WITH GAD HANDLING ON CAD SYSTEM ONLY	THIS DRAWING IS OUR EXCLUSIVE PROPERTY. IT CAN NOT BE COPIED, REPRODUCED, TRANSMITTED TO OTHER PEOPLE OR USED IN ANY WAY WITHOUT OUR CONSENT. ANY INFRINGEMENT WILL BE LEGALLY PURSUED.			
	1:2.5	DEVIATION	±0,1	±0,2	±0,3	±0,5	±0,8	±1,2	±2	±1'	±0°30'	±0°20'			±0°10'		
		TOLERANCE	0,2	0,4	0,6	1	1,6	2,4	4	2'	1°	0°40'	0°20'				
		Product Code		Product Description													
		Drawn	Tonin		B00MT2023B00												
		Approved		Substitute Product Code													
		Date	06/04/20		Drawing Code												
				SRI200-51T96/54 SAE A 9Z										MT2023B		Sheet 1 of 2	



No	Cod.	Part Name	Remarks	Q.ty	Spare	Torque	Tools
1	ROOKMT025	Kit Brackets		1			
1a		Bracket		2			
1b		Socket Screw	M8x20 UNI 5931	6		15 Nm	
3		Socket Screw	M6x35 UNI 5931	12		6,5 Nm	
4	ROOKMT654	Kit Front Endbell IP54		1			
4a		Front Endbell IP54		1			
4b		O-Ring	OR 3300 NBR	1			
4c		Pump Front Cover IP54		1			
5	333680061	Wave Spring Washer	LMKAS62	1			
6	346110295	Bearing	6206 2RS1 C3	2			Extractor
7	E60MT2026B	Stator		1			
8	E60MT2024B	Rotor		1			
9	ROOKMT615	Kit Rear Endbell IP54		1			
9a		Rear Endbell IP54		1			
9b		O-Ring	OR 3200 VITON	1			
9c		Rear Cover IP54		1			
10	ROOKMT040	Kit Position Sensor		1			
10a		Position Sensor		1			
10b		Locking Flange		2			
10c		Fastener		1			
10d		Fastener		1			
13		Socket Screw	M6x12 UNI 5931	4		6,5 Nm	
14	E96CMT1214A	Thermal Drill		1			
15	768MT397A	Terminal Board Protection		1			
16	ROOKMT024	Kit Terminal Board		1			
16a		Terminal Board		1			
16b		Socket Screw	M6x16 UNI 5931	4		4 Nm	
16c		Ring Nut	M18x1,5	3		17 Nm	Special Wrench
16d		Washer	Ø 10 UNI 6592	3			
16e		Spring Washer	Ø 10 UNI 1751	3			
16f		Hexagonal Screw	M10x16 UNI 5739	3		15 Nm	

Rev.	Modification										Date	Signature						
	Scale: 1:4	MEDIUM LIMIT OF ACCURACY	UP TO 6	BESIDES UP TO 6	BESIDES UP TO 30	BESIDES UP TO 120	BESIDES UP TO 315	BESIDES UP TO 1000	BESIDES UP TO 2000	BESIDES UP TO 4000	UP TO 10'	REFERENCE MINOR ANGLE SIDE	BESIDES UP TO 10'	BESIDES UP TO 50'	BESIDES UP TO 120'	BESIDES UP TO 400'	DRAWN WITH CAD	THIS DRAWING IS OUR EXCLUSIVE PROPERTY. IT CAN NOT BE COPIED, REPRODUCED, TRANSMITTED TO OTHER PEOPLE OR USED IN ANY WAY WITHOUT OUR CONSENT. ANY INFRINGEMENT WILL BE LEGALLY PURSUED.
		DEVIATION	±0,1	±0,2	±0,3	±0,5	±0,8	±1,2	±2	±1*	±0° 30'	±0° 20'	±0° 10'	HANDLING ON CAD SYSTEM ONLY				
		TOLERANCE	0,2	0,4	0,6	1	1,6	2,4	4	2*	1°	0° 40'	0° 20'					
SME		Product Code	B00MT2023B00										Product Description	SRI200-51T96/54 SAE A 9Z				
		Drawn	Tonin										Substitute Product Code					
		Approved	Tonin										Drawing Code	MT2023B				
		Date	07/04/20											Sheet 2 of 2				