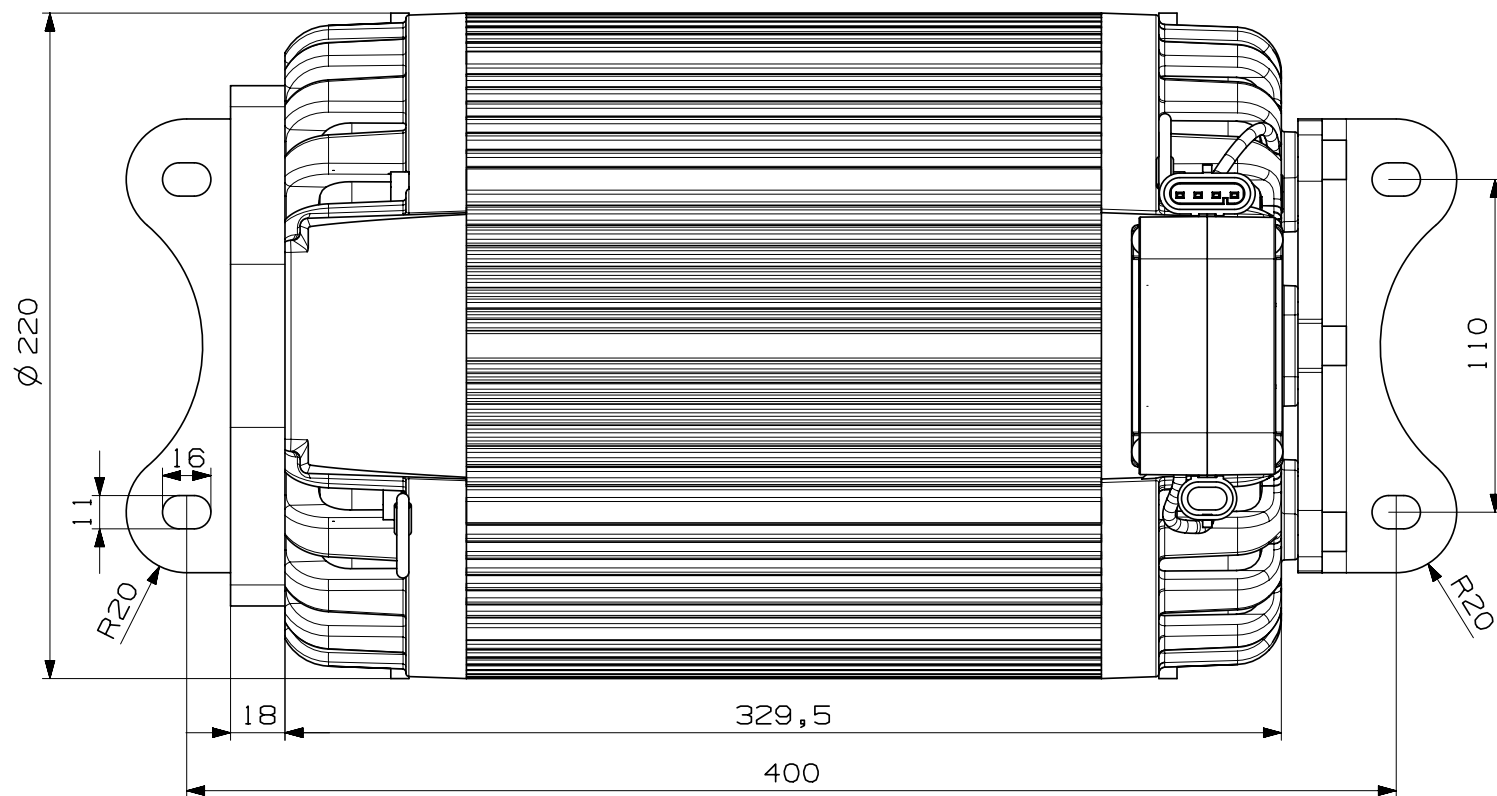
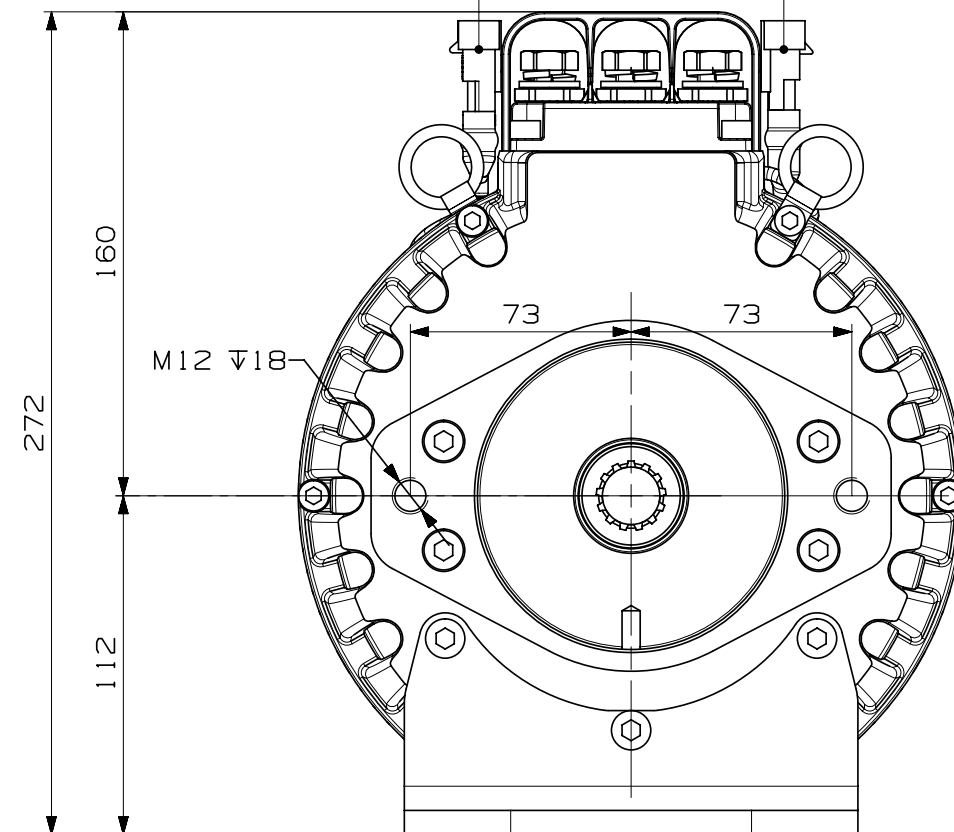


ENCODER CONNECTOR TYPE AMP SUPERSEAL 4 POSITIONS

THERMAL DRILL CONNECTOR TYPE AMP SUPERSEAL 2 POSITIONS



FLAT ROOT SIDE FIT	
STANDARD : ANSI B92.1	
TOLERANCE CLASS 5	
NUMBER OF TEETH	13
PRESSURE ANGLE	30°
NOR DIAMETRAL PITCH	16/32
PITCH DIAMETER	20.6375
BASE DIAMETER	17,8714
FORM DIAMETER	21.9075
MAJOR DIAMETER	22.885
MINOR DIAMETER	19.134
MAX ACTUAL CIRC.TOOTH	2.560
MAX MEAS. BETWEEN PIN	16,521
MEAS PIN DIA	2.743

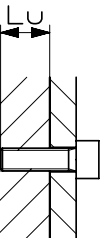
RATING DATA ACCORDING TO EN 60034-1	
POWER	20,6 kW
VOLTAGE	55 V
CURRENT	281 A
RATED SPEED	2200 RPM
MAXIMUM SPEED	6000 RPM
FREQUENCY	73 Hz
Cos φ	0,83
SERVICE	S3 15%
INSULATION CLASS	F
PROTECTION DEGREE	IP 54

POSITION SENSOR	
PIN 1	VCC
PIN 2	SINE
PIN 3	COSINE
PIN 4	GND

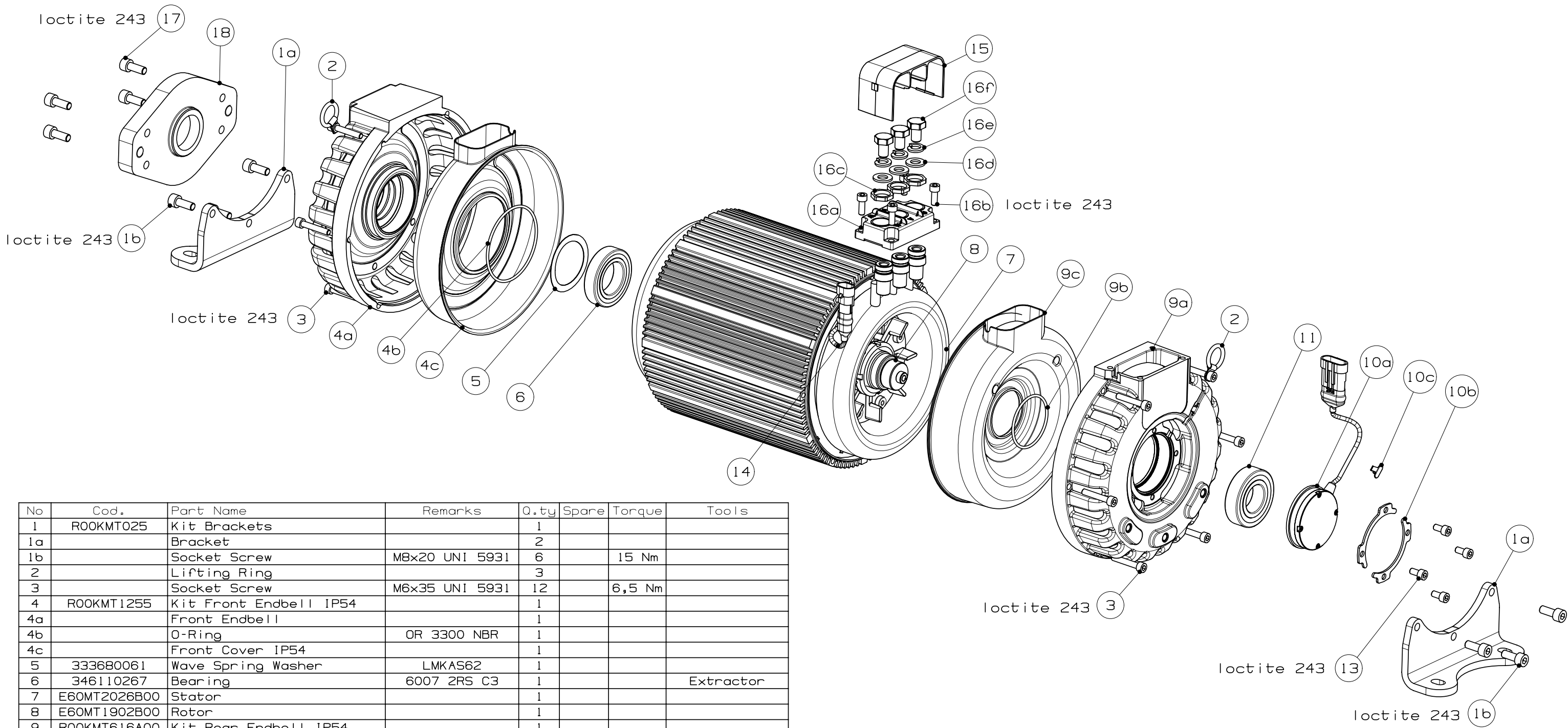
COMPONENT	CODE
ROTOR	MT1902B
STATOR	MT2026B
WINDING	MT2027B
FRONT COVER	MT1255B
REAR COVER	MT616B

INSTALLATION NOTES:

- FLANGE [M12]: Max tightening torque 50 Nm by considering an usable thread length Lu=16-18mm
- BRACKETS [M8]: Max tightening torque 15 Nm by considering an usable thread length Lu=10-12mm
- TERMINAL BOARD SCREWS: Max tightening torque 15 Nm
- Apply lubrication with grease on motor splined shaft to reduce fretting corrosion



Revision Modification		Name Date	
PROCESS CONTROL PLAN: [Reference document: OFDTPD00006 / 2 : GQG-018]		Format A3	SCALE 1:2.5
<CC> critical characteristics: Ppk/Cpk >1,67 - <SC> special characteristics: Ppk/Cpk >1,33 - <CAP> customer attachment point: Poke-A-Yoke required		Tolerances where not specified:	
Drawn: A. Tonin	Date: 26/02/2021	Material: -	Weight: 54 kg
Approved: -	Date: -	Heat Treatment: -	
Surface Treatment: -		Product Code: B00MT2057B00	
Drawing Title: SRI200-51T80/54 SAE B 13Z		Drawing Code: MT2057B/0	



No	Cod.	Part Name	Remarks	Q.ty	Spare	Torque	Tools
1	ROOKMT025	Kit Brackets		1			
1a		Bracket		2			
1b		Socket Screw	M8x20 UNI 5931	6		15 Nm	
2		Lifting Ring		3			
3		Socket Screw	M6x35 UNI 5931	12		6,5 Nm	
4	ROOKMT1255	Kit Front Endbell IP54		1			
4a		Front Endbell		1			
4b		O-Ring	OR 3300 NBR	1			
4c		Front Cover IP54		1			
5	333680061	Wave Spring Washer	LMKAS62	1			
6	346110267	Bearing	6007 2RS C3	1			Extractor
7	E60MT2026B00	Stator		1			
8	E60MT1902B00	Rotor		1			
9	ROOKMT616A00	Kit Rear Endbell IP54		1			
9a		Rear Endbell		1			
9b		O-Ring	OR 3200 VITON	1			
9c		Rear Cover IP54		1			
10	ROOKMT040	Kit Position Sensor		1	Y		
10a		Position Sensor		1			
10b		Locking Flange		2			
10c		Fastener		1			
11	346110295	Bearing	6206 2RS C3	1			Extractor
13		Socket Screw	M6x12 UNI 5931	4		6,5 Nm	
14	E96CMT1214A00	Thermal Drill		1			
15	768MT397A	Terminal Board Protection		1			
16	ROOKMT024	Kit Terminal Board		1			
16a		Terminal Board		1			
16b		Socket Screw	M6x16 UNI 5931	4		4 Nm	
16c		Ring Nut	M18x1,5	3		17 Nm	Special Wrench
16d		Washer	Ø 10 UNI 6592	3			
16e		Spring Washer	Ø 10 UNI 1751	3			
16f		Hexagonal Screw	M10x16 UNI 5739	3		15 Nm	
17		Socket Screw	M8x20 UNI 5931	4		15 Nm	
18	765MT1254A00	Pump Flange		1			

--	-	-	-
Revision Modification		Name	Date
PROCESS CONTROL PLAN:		Format A3	SCALE 1:4
<CC> critical characteristics: Ppk/Cpk >1,67 - <SC> special characteristics: Ppk/Cpk >1,33 - <CAP> customer attachment point: Poke-A-Yoke required		Sheet 2 / 2	
Drawn: A. Tonin	Date: 26/02/2021	Material: -	Weight: 54 kg
Approved: -	Date: -	Heat Treatment: -	
Surface Treatment: -		Tolerances where not specified: up to 6: ±0,1 from 6 up to 30: ±0,2 from 30 up to 120: ±0,3 from 120 up to 315: ±0,5 from 315 up to 1000: ±0,8	
		Product Code: B00MT2057B00	Drawing Code: MT2057B/0
Drawing Title: SRI200-51T80/54 SAE B 13Z			

THIS DRAWING IS OUR EXCLUSIVE PROPERTY. IT CAN NOT BE COPIED, REPRODUCED, TRANSMITTED TO OTHER PEOPLE OR USED IN ANY WAY WITHOUT OUR CONSENT. ANY INFRINGEMENT WILL BE LEGALLY PURSUED.